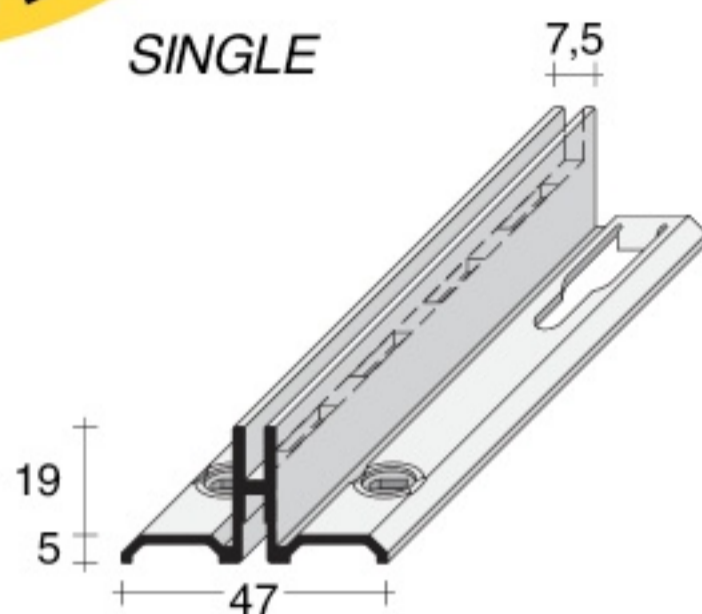


Fast assembly for removable wall panelling - patent pending

ALUMINIUM SLOTTED PROFILES FOR PANELS UP TO 19 mm



SINGLE

7,5

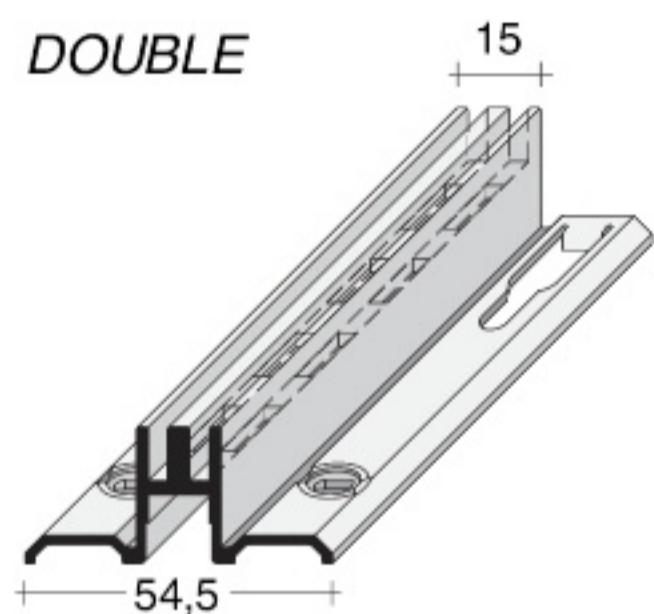
19
5

47

NB1
NB1.2013.NAT

NB1.2531.NAT

NB1.3012.ANE
NB1.3012.LUX*
NB1.3012.NAT
NB1.3012.NOX*



DOUBLE

15

54,5

NB2
NB2.2013.NAT

NB2.2531.NAT

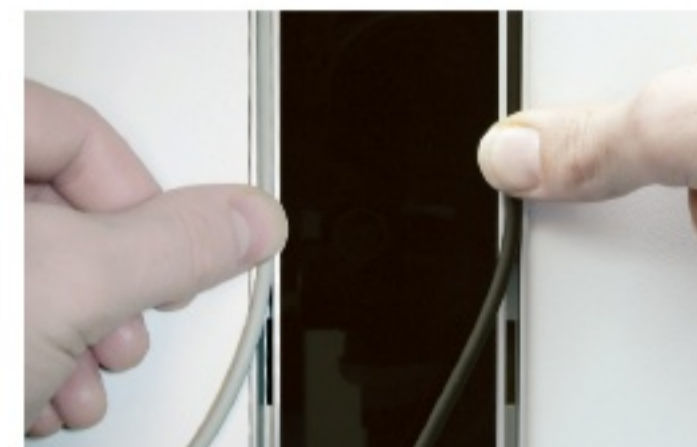
NB2.3012.ANE
NB2.3012.LUX*
NB2.3012.NAT
NB2.3012.NOX*

20% final cost savings on work execution:

no tooling on panels and assembly 4 times faster than other panelling system



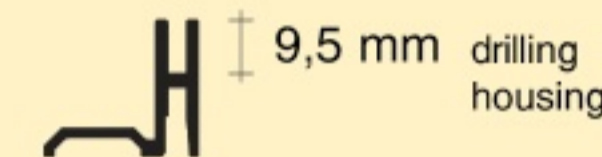
Gaskets



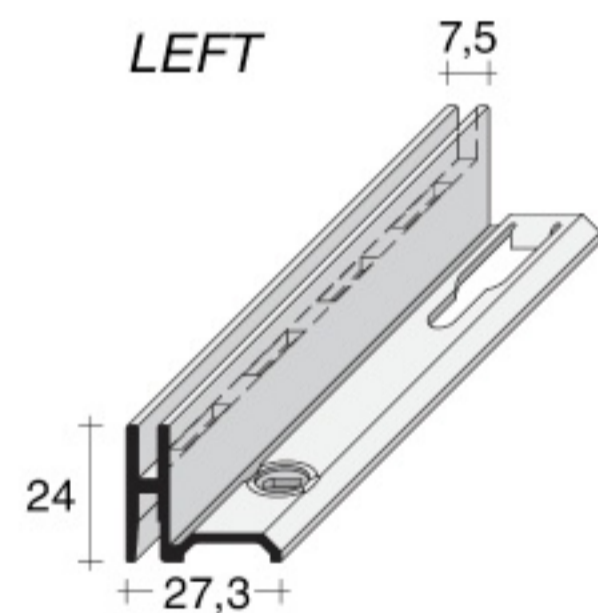
GRN.10MT.ARG GRN.10MT.NER



19 mm flush



9,5 mm drilling housing



LEFT

7,5

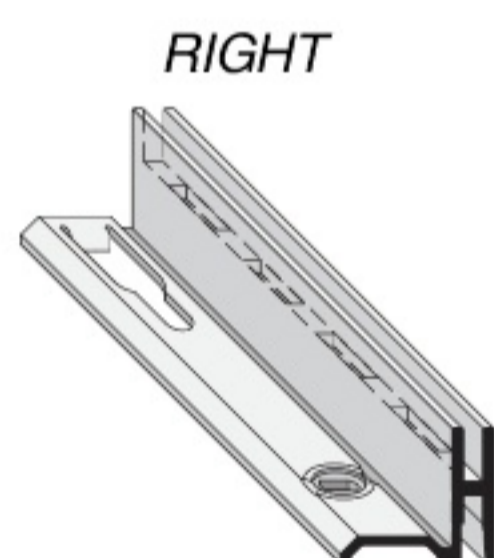
24

27,3

NB7.SX
NB7.20SX.NAT

NB7.25SX.NAT

NB7.30SX.ANE
NB7.30SX.LUX*
NB7.30SX.NAT
NB7.30SX.NOX*
NB7.30SX.SLX*

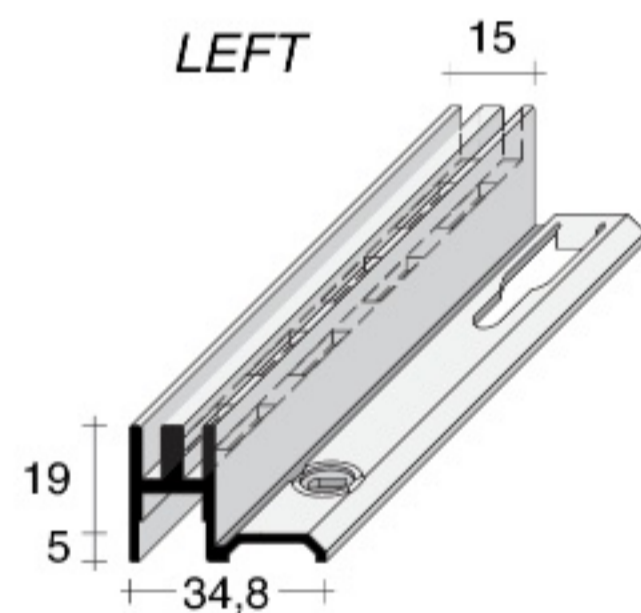


RIGHT

NB7.DX
NB7.20DX.NAT

NB7.25DX.NAT

NB7.30DX.ANE
NB7.30DX.LUX*
NB7.30DX.NAT
NB7.30DX.NOX*
NB7.30DX.SLX*



LEFT

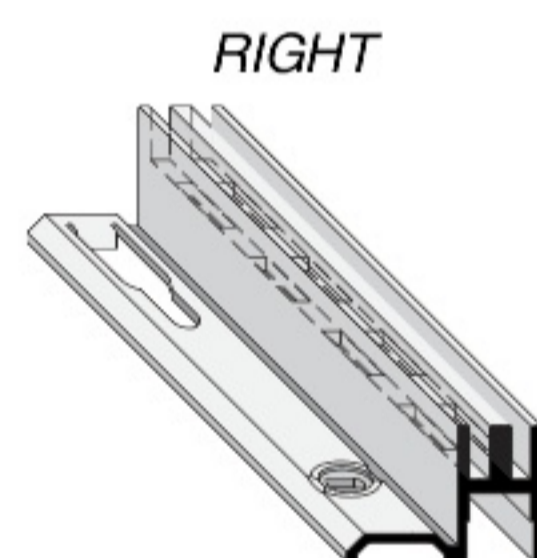
15

19

5

34,8

NB3.SX
NB3.30SX.LUX*
NB3.30SX.NAT



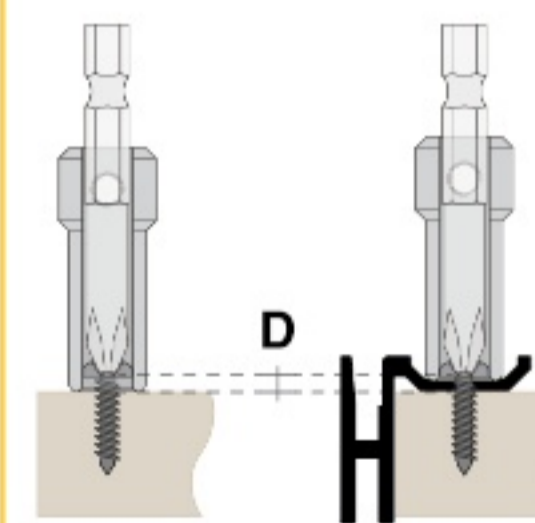
RIGHT

NB3.DX
NB3.30DX.LUX*
NB3.30DX.NAT

Special bit for NBA.V100.ZIN screws insert with adjustable stop



NBA.TULL.ZIN



| PROFILE | D |
|-----------|---------|
| NB0 | ~1,2 mm |
| NB Series | ~1,8 mm |



HORIZONTAL SYSTEMS
FMH - BRH

Lengths in mm

| 2013 | 2531 | 3012 |
|------|------|------|
| | | |

| AI | Color | Finish |
|-----|------------------|--------|
| NAT | SATINIZED SILVER | |
| ANE | BLACK | |
| LUX | BRILLIANT | |
| NOX | INOX FINISHING | |
| SLX | BRIGHT | |

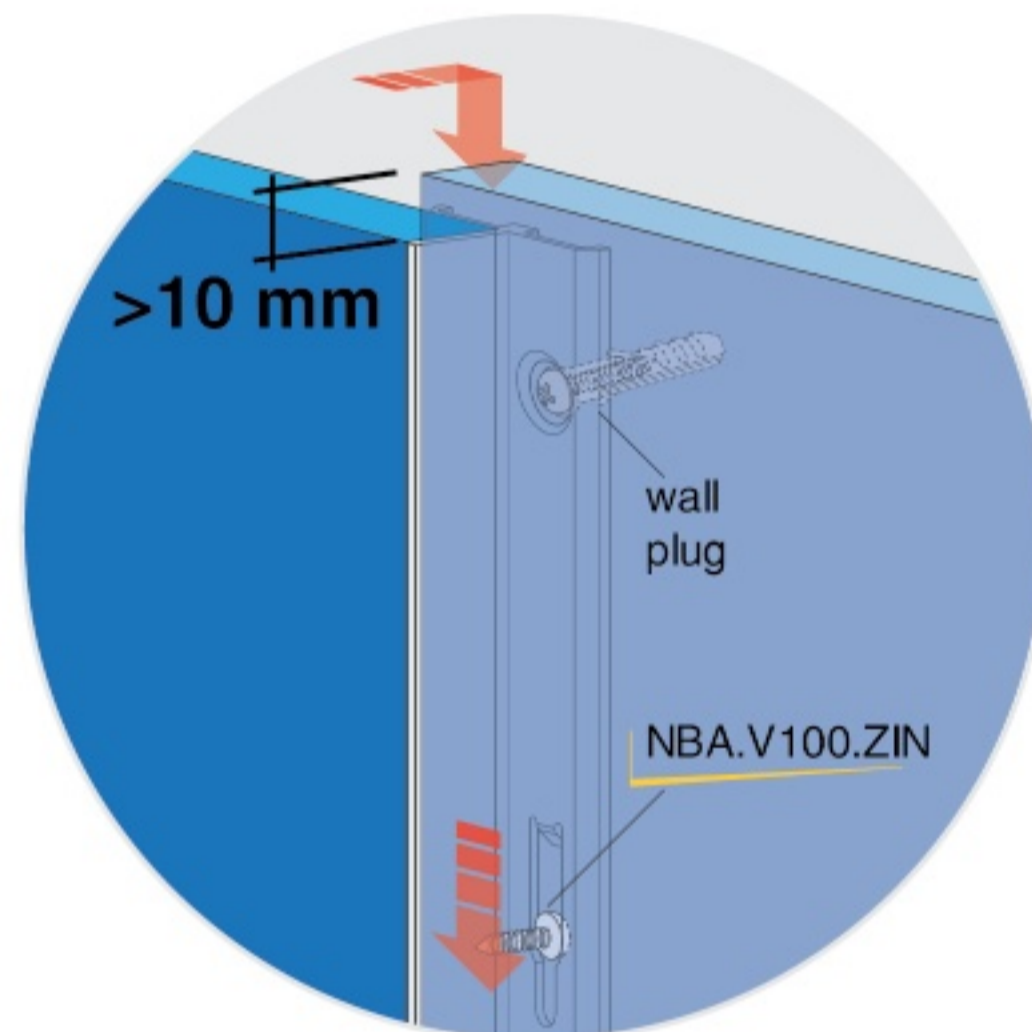
* special items

ASSEMBLY INSTRUCTIONS

Insert panel sliding in from the top.

In the panelling phase always remember to leave **10 millimetres** space at the top or at the bottom, necessary to let the panel slide in and out from the profile.

FAST SLIDING-ANCHORAGE ASSEMBLY



1) FIX THE SCREWS ON THE BACK OF THE PANEL:
use the profile as a template: position the screws at the bottom of the eyelet and screw. Stop screw stroke before blocking the profile. We advise to use NBA.TULL.ZIN to accelerate this assembly step.

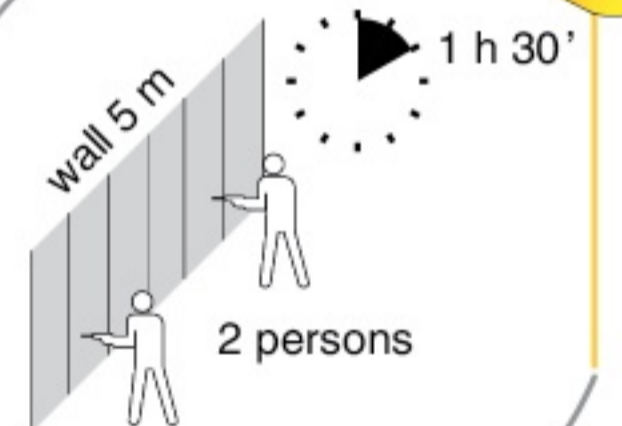


2) PANEL FIXING:
once the profile is fixed to the wall proceed with sliding the screw into the eyelet. In average using 4/5 screws on each side is enough for a 3-meter panel. If overhang elements are used on the panels or the panels are realized in a very light material (like acoustic panel), we recommend to increase quantity of screws.

NO TOOLING
ON PANELS

ONLY 4 SCREWS
FOR ONE PANEL
ASSEMBLY

ASSEMBLY
4 TIMES FASTER
THAN OTHER
PANELLING
SYSTEMS



To COMPARE
with solutions on
pages 24 and 27

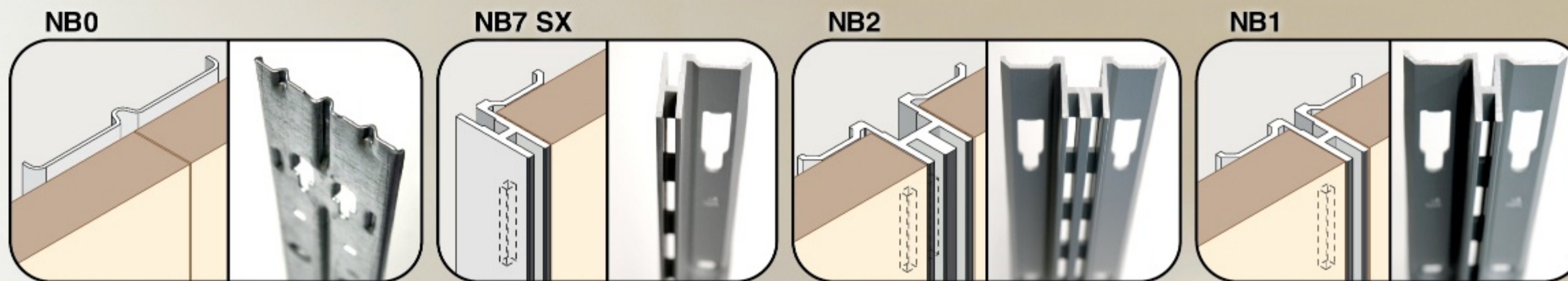
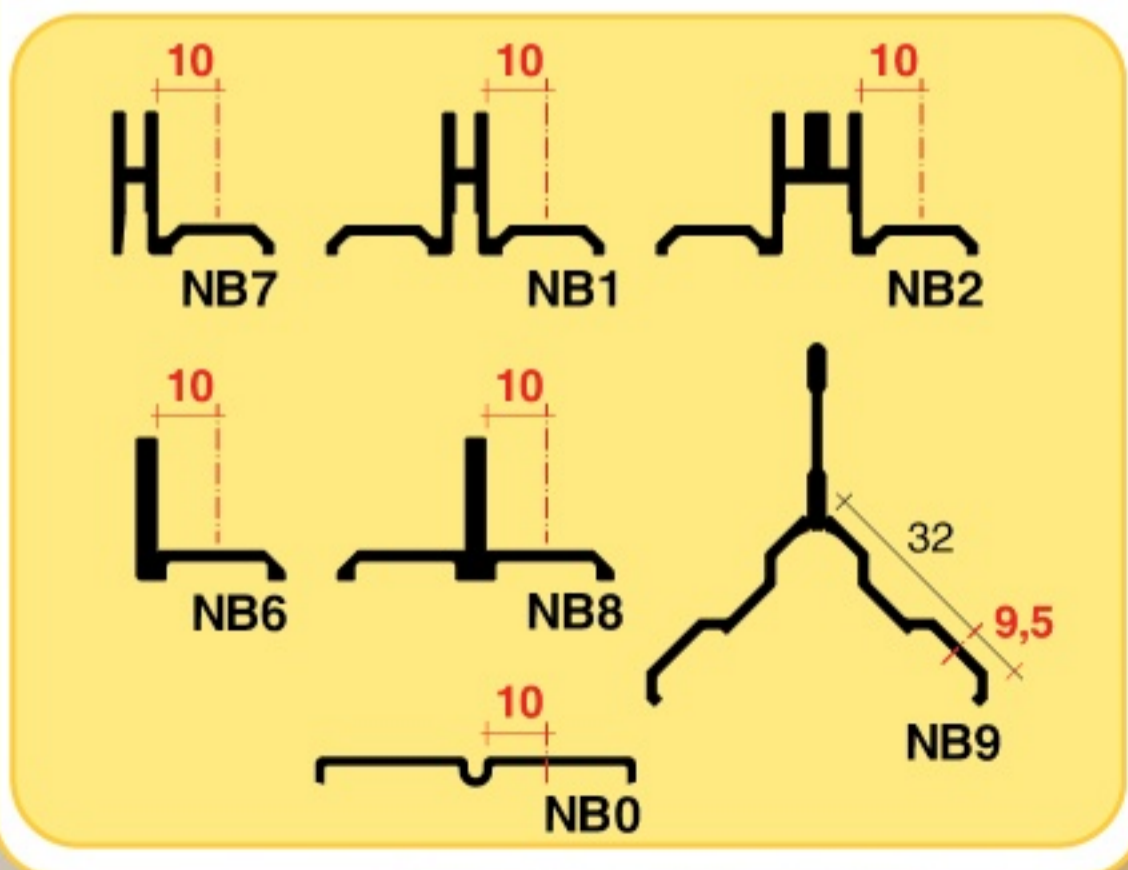
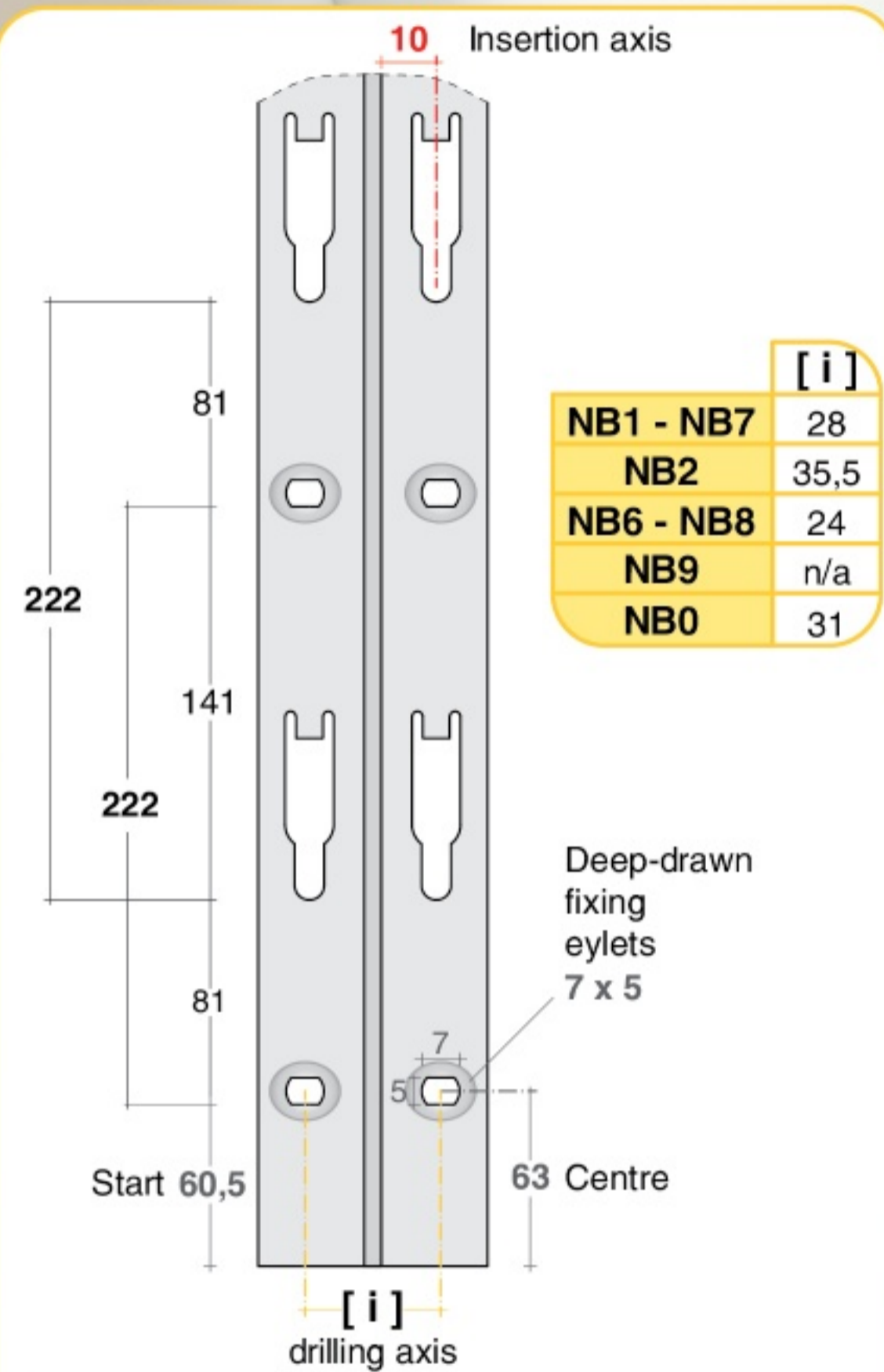
SCREW WITH SPACER

When using the spacers for screws, first mark the holes (always using the profile as a template), and then screw both elements on the panel back.

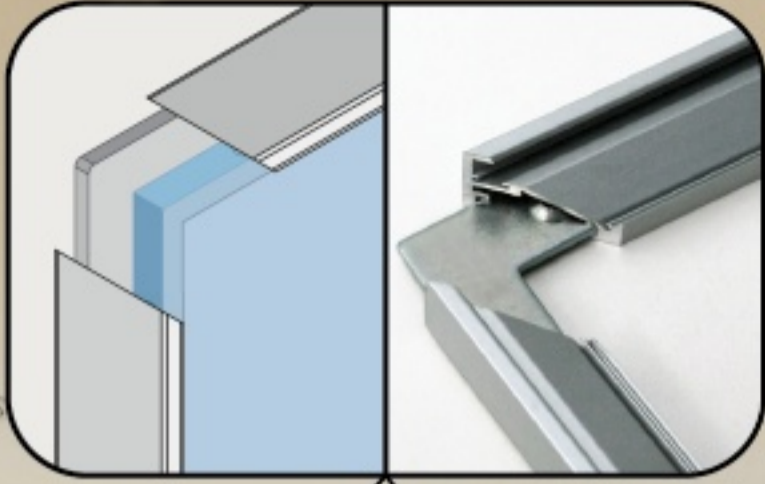


NB system

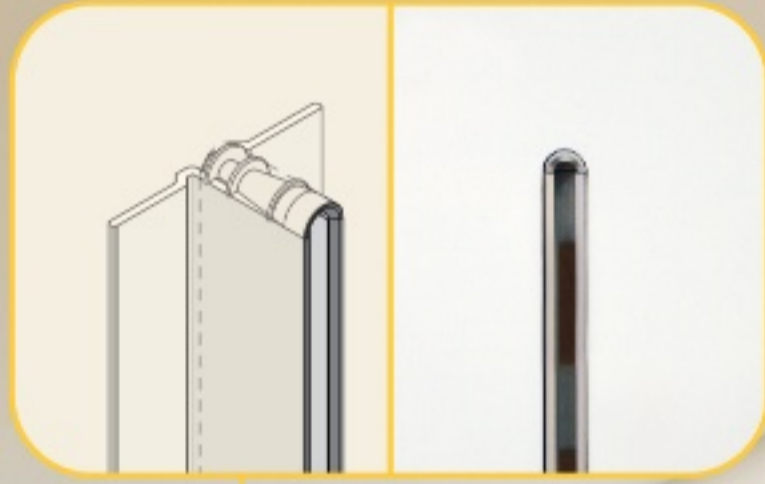
DIMENSIONS AND DRILLING PITCHES



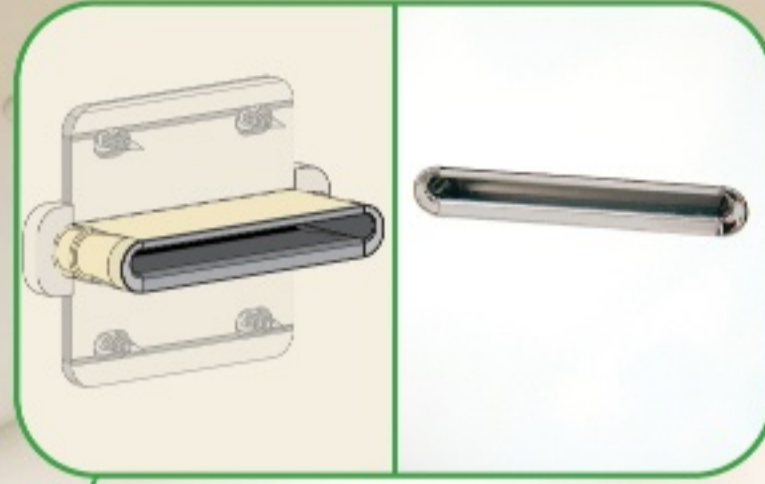
TL5



RP1



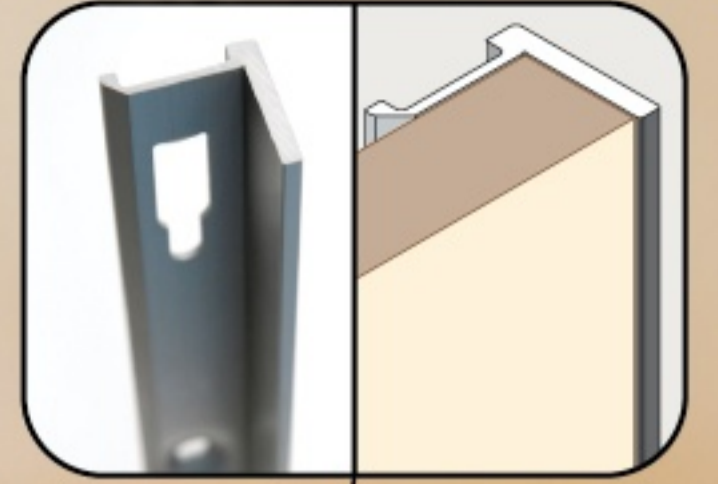
BCH



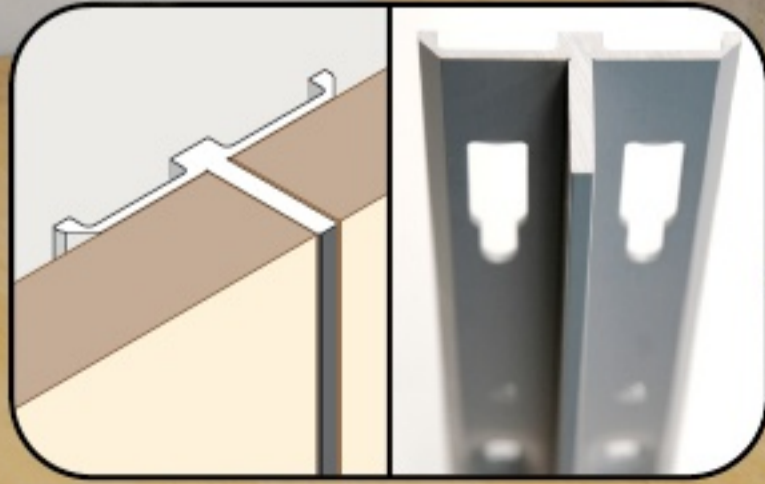
RP2



NB6 DX



NB8



FMH

