



REHAU®

Unlimited Polymer Solutions



FRAME4 RAUVOLET METALLIC-LINE

SYSTEM SOLUTION WITH PERSONALITY



DESIGN FOR
FURNITURE

FRAME4 RAUVOLET METALLIC-LINE

PRODUCT BENEFITS

Purism is a popular design formula in the kitchen. The new delicate track system frame4 now consistently gives this appearance to the tried and tested RAUVOLET metallic-line tambour door system.



The tried and tested RAUVOLET metallic-line tambour door system combines the functional properties of a polymer tambour door system with the attractive appearance of high-quality real metal. With its 25 mm wide ribbed profiles it impresses with its cool aluminium or real stainless steel finish.

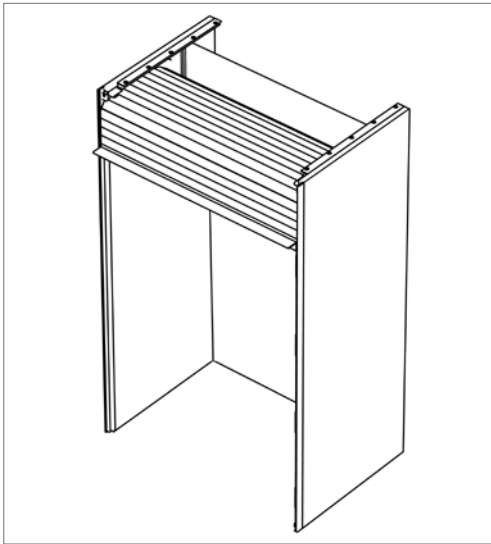
The new elegant track system frame4 now offers a matching design for the RAUVOLET metallic-line tambour doors. With a width of just 4 mm it frames the matt with an elegant metal finish, so that a plain surface becomes even more prominent as an element that enhances it visually.

FRAME4 RAUVOLET METALLIC-LINE

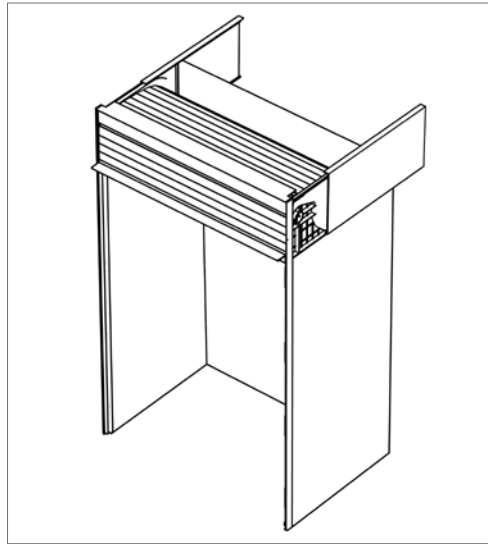
PRODUCT RANGE

frame4 RAUVOLET metallic-line is supplied as a fully-fabricated vertical cassette system. Assembly is easy: The system can either be mounted to the surface of a standard carcass or milled into the carcass of a custom cabinet.

Assembly variants:



A component milled into the surface gives you a continuous cabinet side.



One that is mounted to the surface of the carcass requires a cover on the side.

Decor variants



Brushed stainless steel 360L

Dimensions:

frame4 RAUVOLET metallic-line is available in four dimensions (W x H):

- 600 mm x 1000 mm
- 600 mm x 1500 mm
- 900 mm x 1000 mm
- 900 mm x 1500 mm

The system is suitable for the common board thicknesses 16 mm, 18 mm and 19 mm.

The minimum installation depth is 269 mm.



Aluminium 230L

FRAME4 RAUVOLET METALLIC-LINE

ANY QUESTIONS?



If you have further questions about frame4 RAUVOLET metallic-line, you can of course contact us directly: metallic-line@rehau.com

We look forward to hearing from you!

This document is protected by copyright. All rights based on this are reserved. No part of this publication may be translated, reproduced or transmitted in any form or by any similar means, electronic or mechanical, photocopying, recording or otherwise, or stored in a data retrieval system.

Our verbal and written advice relating to technical applications is based on experience and is to the best of our knowledge correct but is given without obligation. Working conditions and use under conditions for which this product was not intended and over which we have no influence exclude any claim resulting from our information. We recommend that the suitability of any REHAU product for the intended application should be checked. Utilisation and processing of our products are beyond our control and are therefore exclusively your responsibility. In the event that a liability is nevertheless considered, then this will be based exclusively on our conditions of sale, which can be seen under www.rehau.de/LZB. Our warranty assumes consistent quality of our products in accordance with our specification and in accordance with our general conditions of sale.

REHAU SALES OFFICES

AE: Middle East, +971 4 8835677, dubai@rehau.com **AR: Buenos Aires**, +54 11 48986000, buenosaires@rehau.com **AT: Linz**, +43 732 3816100, linz@rehau.com **Wien**, +43 2236 24684, wien@rehau.com **Graz**, +43 361 403049, graz@rehau.com **AU: Adelaide**, +61 8 82990031, adelaide@rehau.com **Brisbane**, +61 7 55271833, brisbane@rehau.com **Melbourne**, +61 3 95875544, melbourne@rehau.com **Perth**, +61 8 94564311, perth@rehau.com **Sydney**, +61 2 87414500, sydney@rehau.com **AZ: Baku**, +99 412 5110792, baku@rehau.com **BA: Sarajevo**, +387 33 475500, sarajevo@rehau.com **BE: Bruxelles**, +32 16 399911, bruxelles@rehau.com **BG: Sofia**, +359 2 8920471, sofia@rehau.com **BR: Arapongas**, +55 43 31522004, arapongas@rehau.com **Belo Horizonte**, +55 31 33097737, belohorizonte@rehau.com **Caxias do Sul**, +55 54 32146606, caxias@rehau.com **Mirassol**, +55 17 32535190, mirassol@rehau.com **Recife**, +55 81 32028100, recife@rehau.com **BY: Minsk**, +375 17 2450209, minsk@rehau.com **CA: Moncton**, +1 506 5382346, moncton@rehau.com **Montreal**, +1 514 9050345, montreal@rehau.com **St. John's**, +1 709 7479909, stjohns@rehau.com **Toronto**, +1 905 3353284, toronto@rehau.com **Vancouver**, +1 604 6264666, vancouver@rehau.com **CH: Bern**, +41 31 720120, bern@rehau.com **Vevey**, +41 21 9482636, vevey@rehau.com **Zuerich**, +41 44 8397979, zuerich@rehau.com **CN: Guangzhou**, +86 20 87760343, guangzhou@rehau.com **Beijing**, +86 10 64282956, beijing@rehau.com **Shanghai**, +86 21 63551155, shanghai@rehau.com **Chengdu**, +86 28 86283218, chengdu@rehau.com **Xian**, +86 29 68597000, xian@rehau.com **Shenyang**, +86 24 22876807, shenyang@rehau.com **QingDao**, +86 32 86678190, qingdao@rehau.com **CO: Bogota**, +57 1 898 528687, bogota@rehau.com **DE: Bielefeld**, +49 521 208400, bielefeld@rehau.com **Frankfurt**, +49 6074 40900, frankfurt@rehau.com **München**, +49 8102 860, muenchen@rehau.com **Stuttgart**, +49 7159 16010, stuttgart@rehau.com **DK: Kobenhavn**, +45 46 773700, kobenhavn@rehau.com **EE: Tallinn**, +372 6025850, tallinn@rehau.com **ES: Bilbao**, +34 94 4538636, bilbao@rehau.com **Madrid**, +34 91 6839425, madrid@rehau.com **FI: Helsinki**, +358 9 87709900, helsinki@rehau.com **FR: Agen**, +33 5 53695869, agen@rehau.com **Lyon**, +33 4 72026300, lyon@rehau.com **Paris**, +33 1 34836450, paris@rehau.com **Metz**, +33 6 8500, metz@rehau.com **GB: Glasgow**, +44 1698 503700, glasgow@rehau.com **Manchester**, +44 161 7777400, manchester@rehau.com **Slough**, +44 1753 588500, slough@rehau.com **Ross on Wye**, +44 1989 762643, rowy@rehau.com **London**, +44 207 3078590, london@rehau.com **GE: Tbilisi**, +995 32 559909, tbilisi@rehau.com **GR: Athens**, +30 21 06682500, athens@rehau.com **Thessaloniki**, +30 2310 633301, thessaloniki@rehau.com **HK: Hongkong**, +8 52 28987080, hongkong@rehau.com **HR: Zagreb**, +385 1 3444711, zagreb@rehau.com **HU: Budapest**, +36 23 530700, budapest@rehau.com **ID: Jakarta**, +62 21 45871030, jakarta@rehau.com **IE: Dublin**, +353 1 8165020, dublin@rehau.com **IN: Mumbai**, +91 22 61485858, mumbai@rehau.com **New Delhi**, +91 11 45044700, newdelhi@rehau.com **Bangalore**, +91 80 2222001314, bangalore@rehau.com **IT: Pesaro**, +39 0721 200611, pesaro@rehau.com **Roma**, +39 06 90061311, roma@rehau.com **Treviso**, +39 0422 726511, treviso@rehau.com **JP: Tokyo**, +81 3 57962102, tokyo@rehau.com **KR: Seoul**, +82 2 5011656, seoul@rehau.com **KZ: Almaty**, +7 727 3941301, almaty@rehau.com **LT: Vilnius**, +370 5 2461400, vilnius@rehau.com **LV: Riga**, +371 6 7609080, riga@rehau.com **MA: Casablanca**, +212 522250593, casablanca@rehau.com **MK: Skopje**, +389 2 2402, skopje@rehau.com **MX: Celaya**, +52 461 6188000, celaya@rehau.com **Monterrey**, +52 81 81210130, monterrey@rehau.com **NL: Nijkerk**, +31 33 2479911, nijkerk@rehau.com **NO: Oslo**, +47 2 2514150, oslo@rehau.com **NZ: Auckland**, +64 9 2722264, auckland@rehau.com **PE: Lima**, +51 1 2261713, lima@rehau.com **PL: Katowice**, +48 32 7755100, katowice@rehau.com **Warszawa**, +48 22 2056300, warszawa@rehau.com **PT: Lisboa**, +351 21 8987050, lisboa@rehau.com **Oporto**, +351 22 94464, oporto@rehau.com **QA: Qatar**, +974 44101608, qatar@rehau.com **RO: Bacau**, +40 234 512066, bacau@rehau.com **Bucuresti**, +40 21 2665180, bucuresti@rehau.com **Cluj Napoca**, +40 264 415211, clujnapoca@rehau.com **RS: Beograd**, +381 11 3770301, beograd@rehau.com **RU: Chabarowsk**, +7 4212 411218, chabarowsk@rehau.com **Jekaterinburg**, +7 343 2535305, jekatarinburg@rehau.com **Krasnodar**, +7 861 2103636, krasnodar@rehau.com **Nishnij Nowgorod**, +7 831 4678078, nishnijnowgorod@rehau.com **Novosibirsk**, +7 3832 000353, novosibirsk@rehau.com **Rostow am Don**, +7 8632 978444, rostow@rehau.com **Samara**, +7 8462 698058, samara@rehau.com **St. Petersburg**, +7 812 3266207, stpetersburg@rehau.com **Woronesch**, +7 4732 611858, woronesch@rehau.com **SE: Örebro**, +46 19 206400, oerebro@rehau.com **SG: Singapore**, +65 63926006, singapore@rehau.com **SK: Bratislava**, +421 2 68209110, bratislava@rehau.com **TH: Bangkok**, +66 27635100, bangkok@rehau.com **TW: Taipei**, +886 2 87803899, taipei@rehau.com **UA: Dnepropetrowsk**, +380 56 3705028, dnepropetrowsk@rehau.com **Kiev**, +380 44 4677710, kiev@rehau.com **Odessa**, +380 48 7800708, odessa@rehau.com **Lviv**, +380 32 2244810, lviv@rehau.com **US: Detroit**, +1 248 8489100, detroit@rehau.com **Grand Rapids**, +1 616 2856867, grandrapids@rehau.com **Los Angeles**, +1 951 5499017, losangeles@rehau.com **Minneapolis**, +1 612 2530576, minneapolis@rehau.com **VN: Ho Chi Minh City**, +84 8 38233030, sales.vietnam@rehau.com **ZA: Durban**, +27 31 7657447, durban@rehau.com **Johannesburg**, +27 11 2011300, johannesburg@rehau.com **Cape Town**, +27 21 9821254, capetown@rehau.com **East London**, +27 43 7095400, eastlondon@rehau.com