

# EvoLift - Opening systems - Flap door

## Assembly instructions

### Drilling pattern for wooden door.

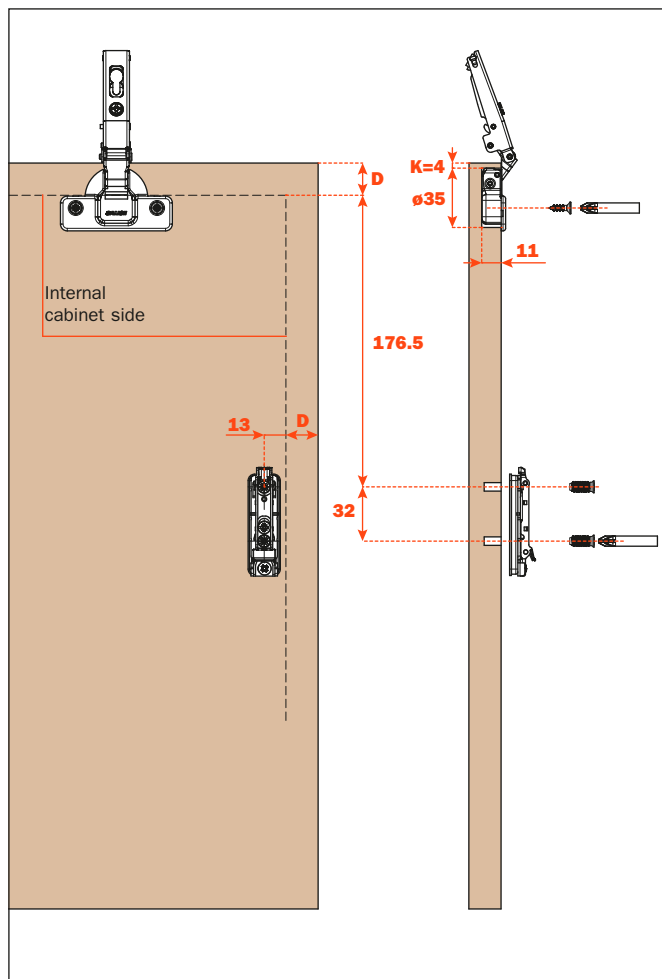
Hinges for doors with soft-close and handles  
**C2\_6A99**

Hinges for doors with Push opening  
**C2\_PA99** (Push hinges) for a more decisive opening  
**C2\_4A99** (unsprung hinges) for a softer opening

#### Available fixing systems for the hinge cup:

- A** = wood screw fixing, 48x6 mm drilling
- P** = wood screw fixing, 45x9.5 mm drilling
- U** = wood screw fixing, 52x5.5 mm drilling
- B** = dowel fixing, 48x6 mm drilling
- R** = dowel fixing, 45x9.5 mm drilling
- W** = dowel fixing, 52x5.5 mm drilling

**D** = sideways and upper overlay



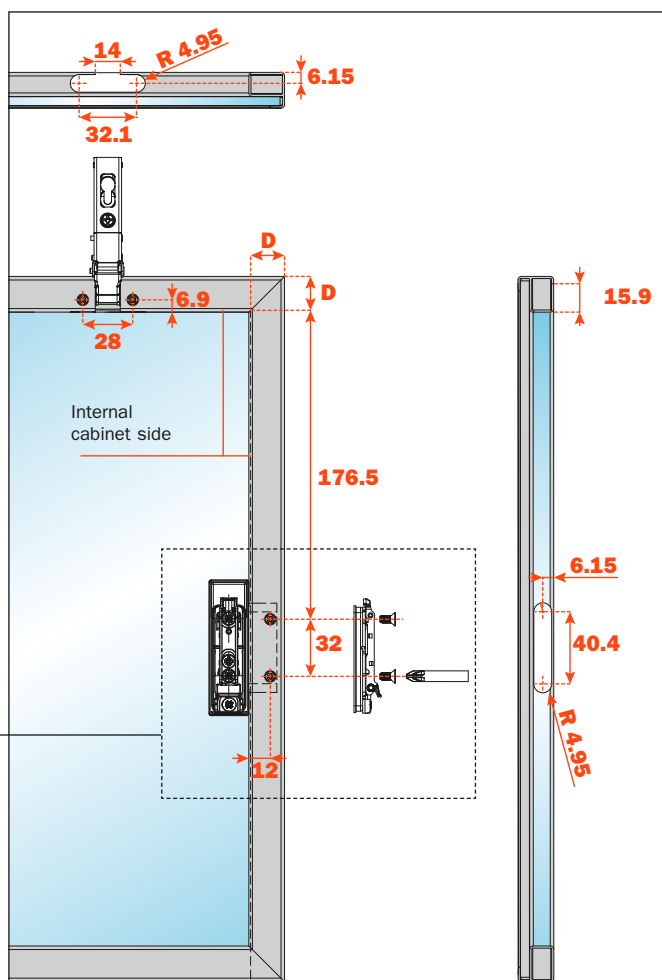
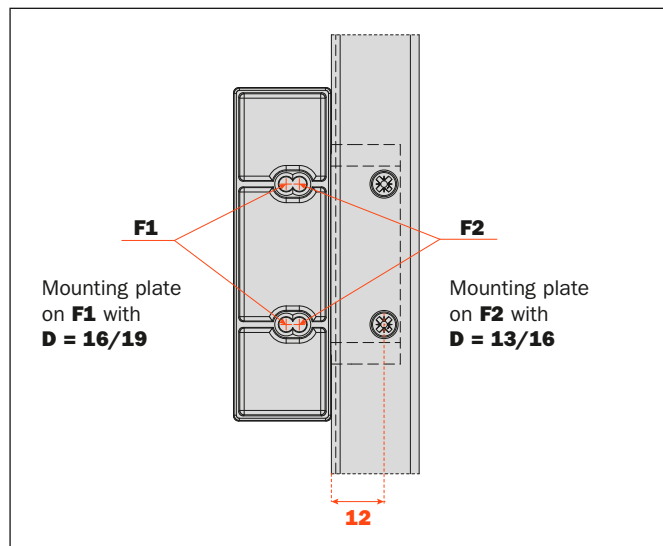
### Drilling pattern for alu-framed door width min. 17 mm max. 24 mm.

For alu-framed door, fix the mounting plate to the appropriate adapter.

Hinges for doors with soft-close and handles  
**C2\_6A99**

Hinges for doors with Push opening  
**C2\_PA99** (Push hinges) for a more decisive opening  
**C2\_4A99** (unsprung hinges) for a softer opening

**D** = sideways and upper overlay



## Drilling pattern for alu-framed door width min. 45 mm.

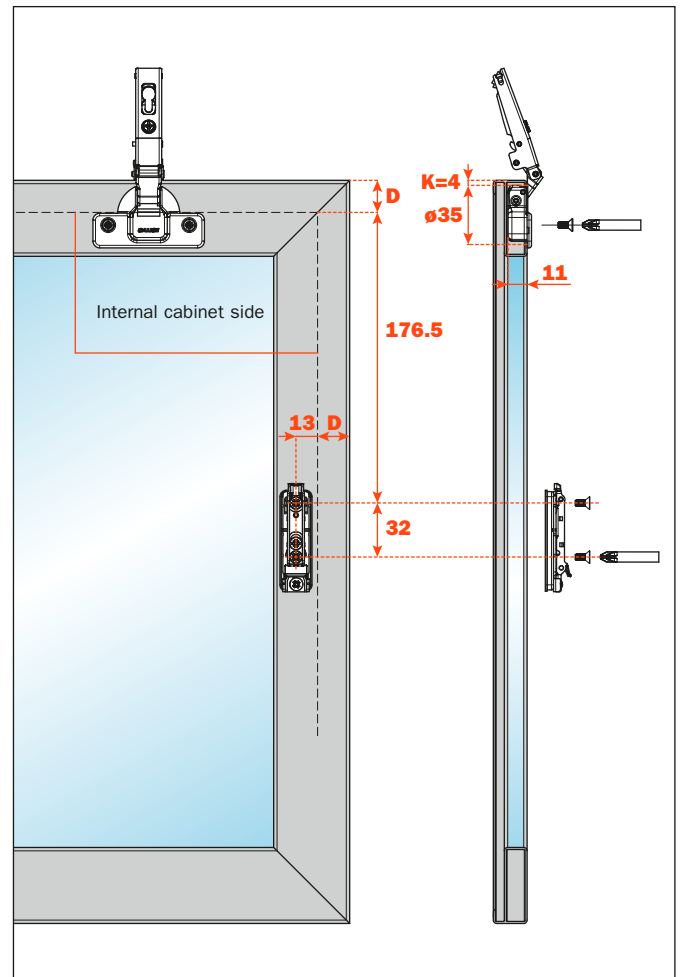
Hinges for doors with soft-close and handles  
**C2\_6A99**

Hinges for doors with Push opening  
**C2\_PA99** (Push hinges) for a more decisive opening  
**C2\_4A99** (unsprung hinges) for a softer opening

### Available fixing system for the hinge cup:

**A** = wood screw fixing, 48x6 mm drilling  
**P** = wood screw fixing, 45x9.5 mm drilling  
**U** = woodscrew fixing, 52x5.5 mm drilling

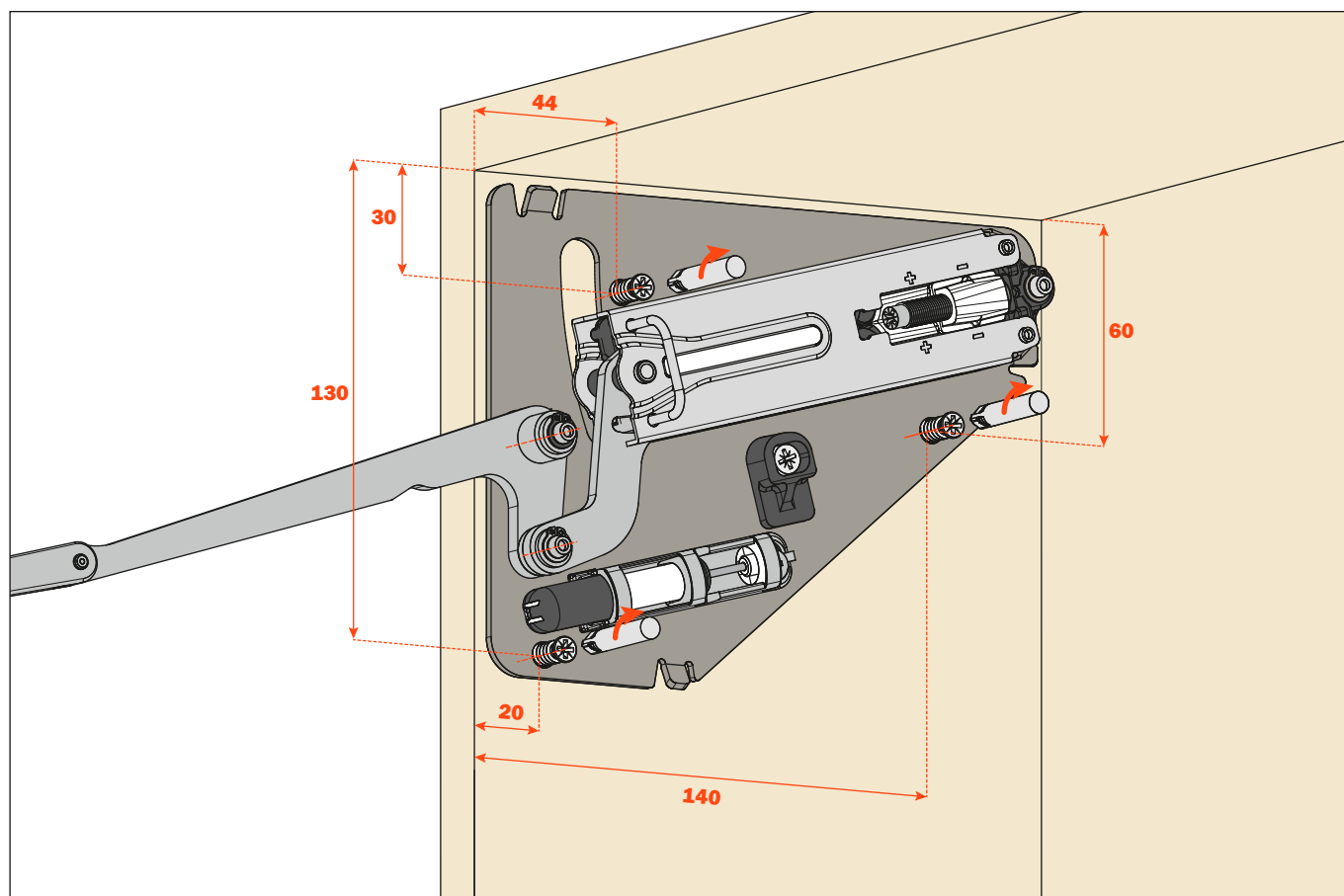
**D** = sideways and upper overlay



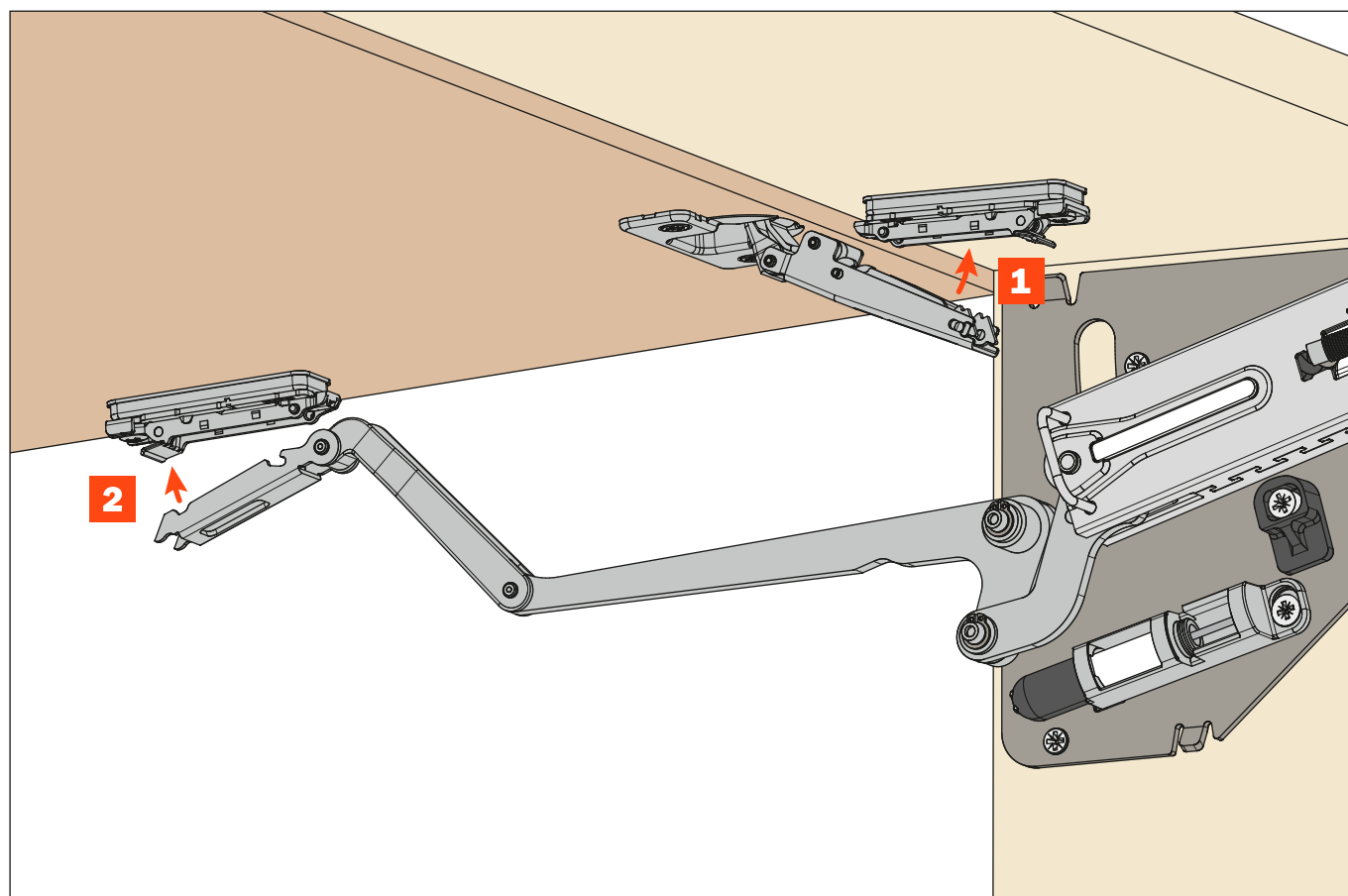


**Fixing the system to the cabinet side.**

Drilling depth 12 mm - Hole diameter  $\varnothing$  5 mm

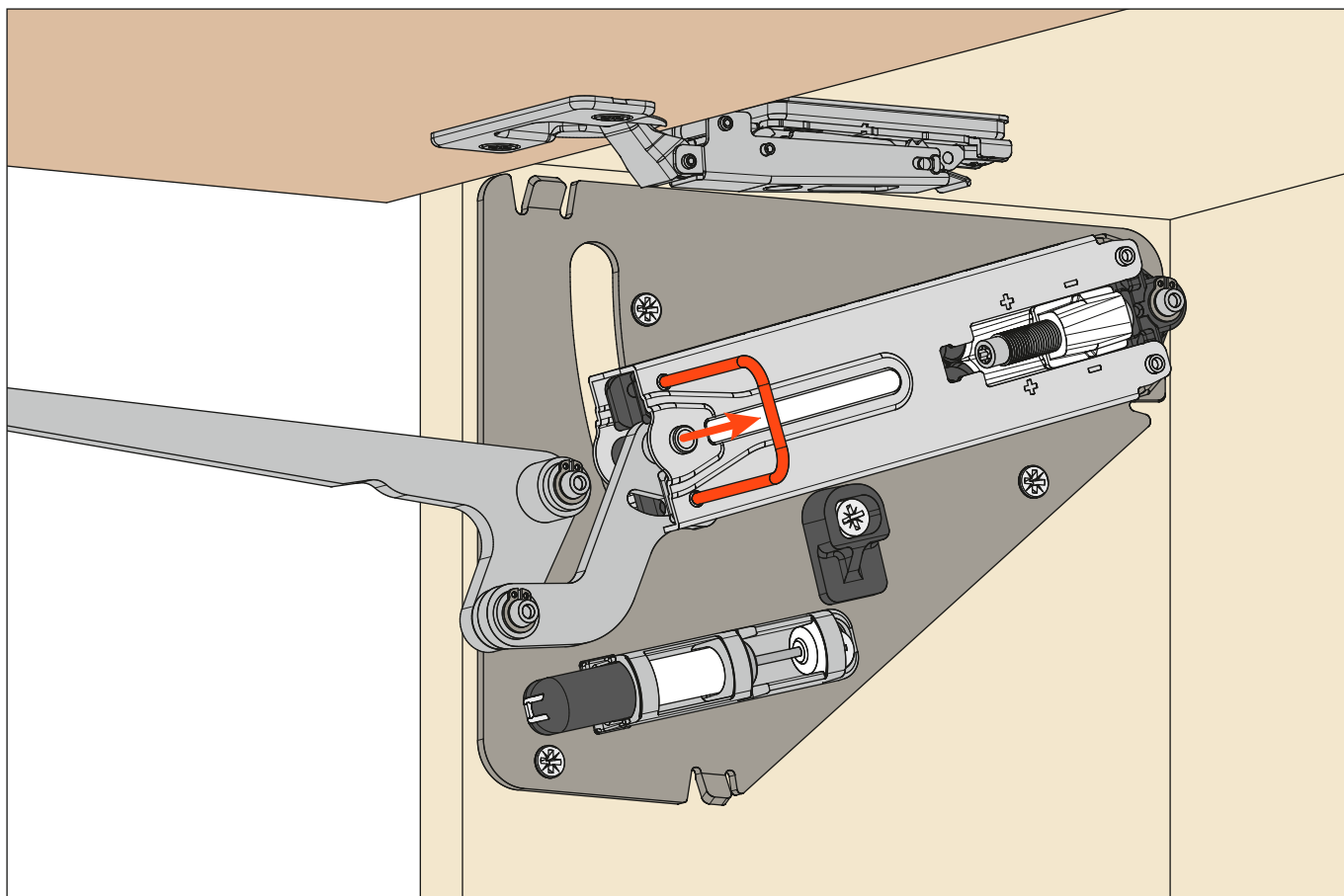


**Fitting the door to the cabinet.**



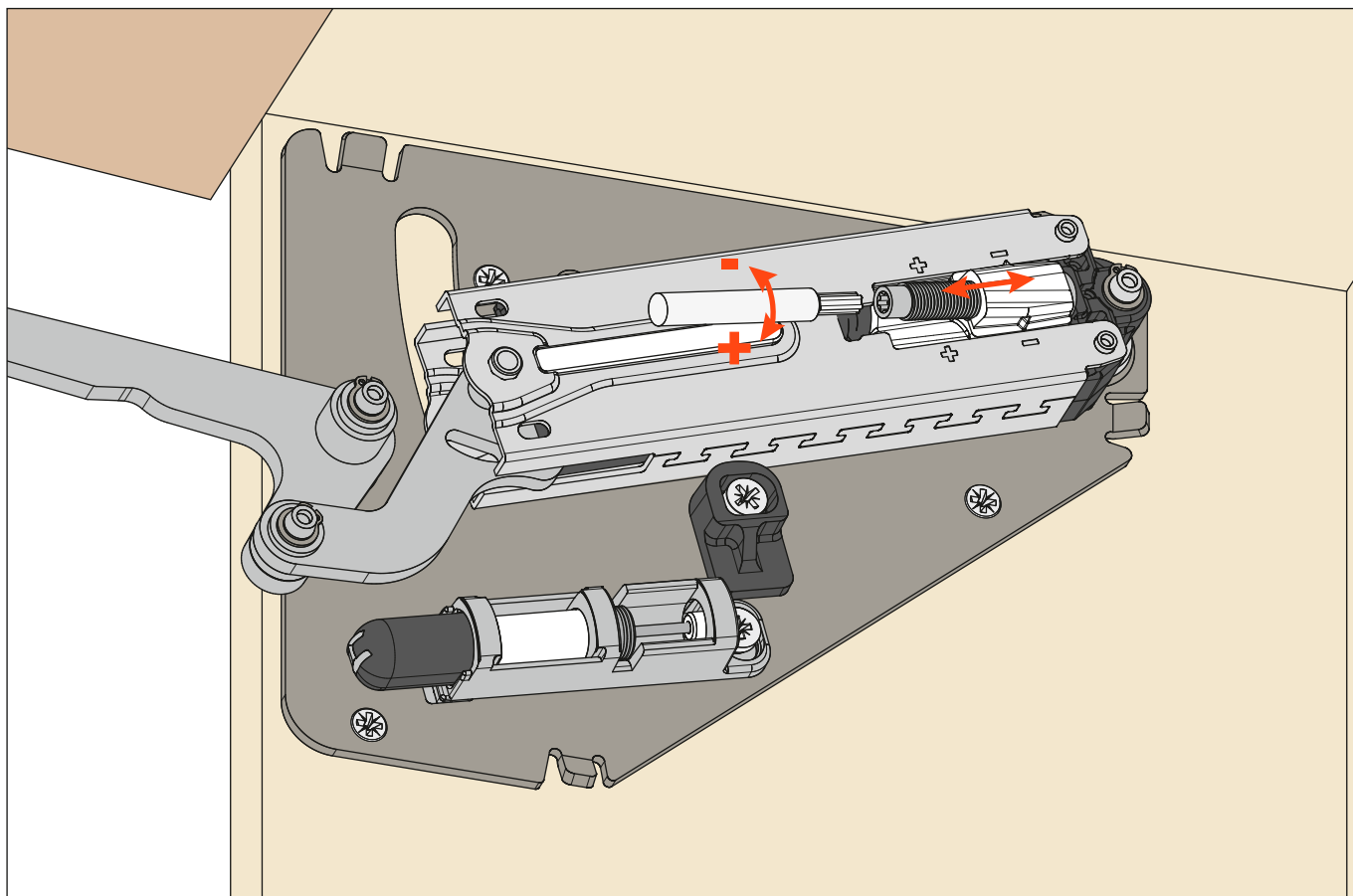
### Withdraw the safety clip.

Lower the door slightly until the safety clip can be easily withdrawn.



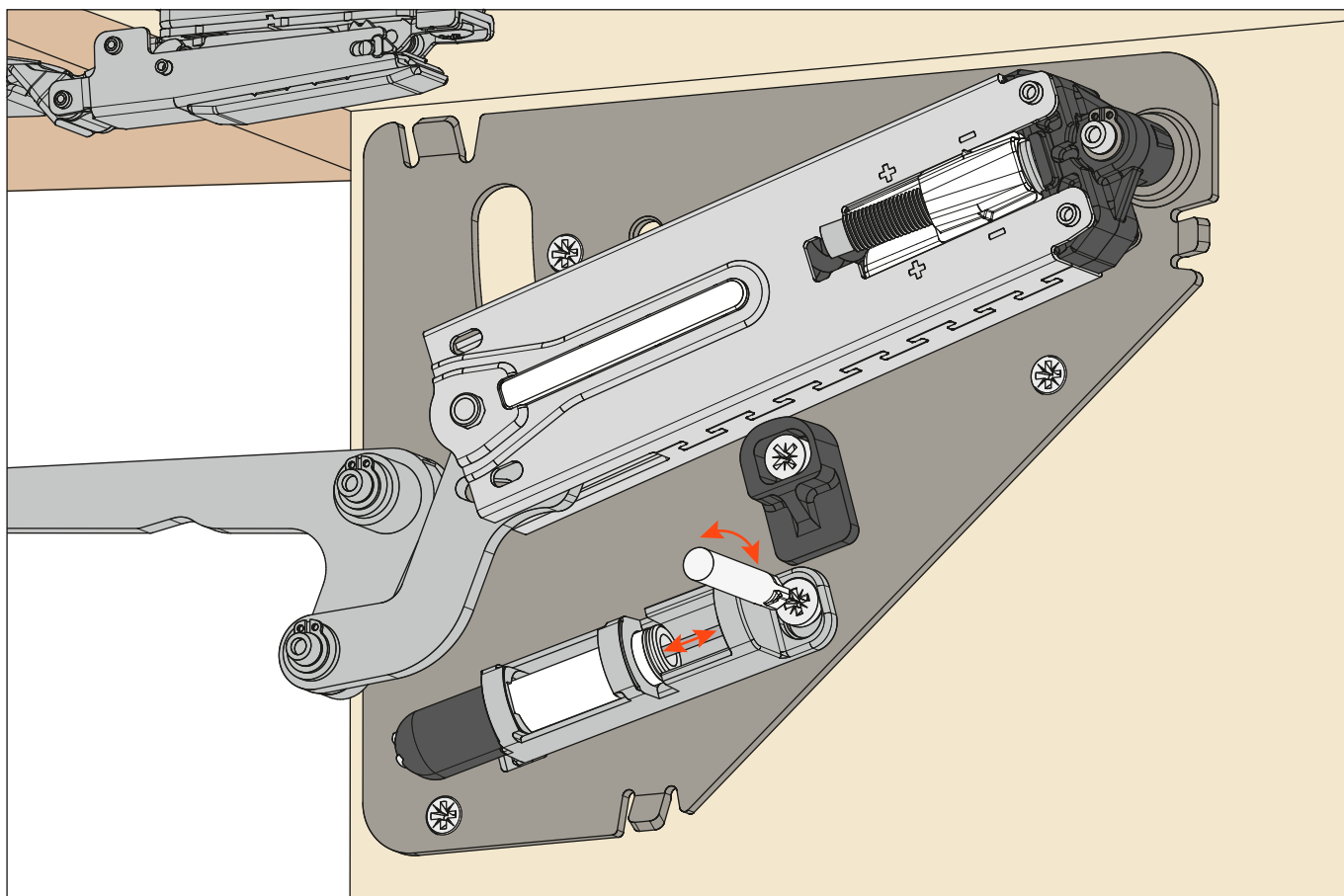
### Adjustment of the system strength.

Use a Torx bit T20.

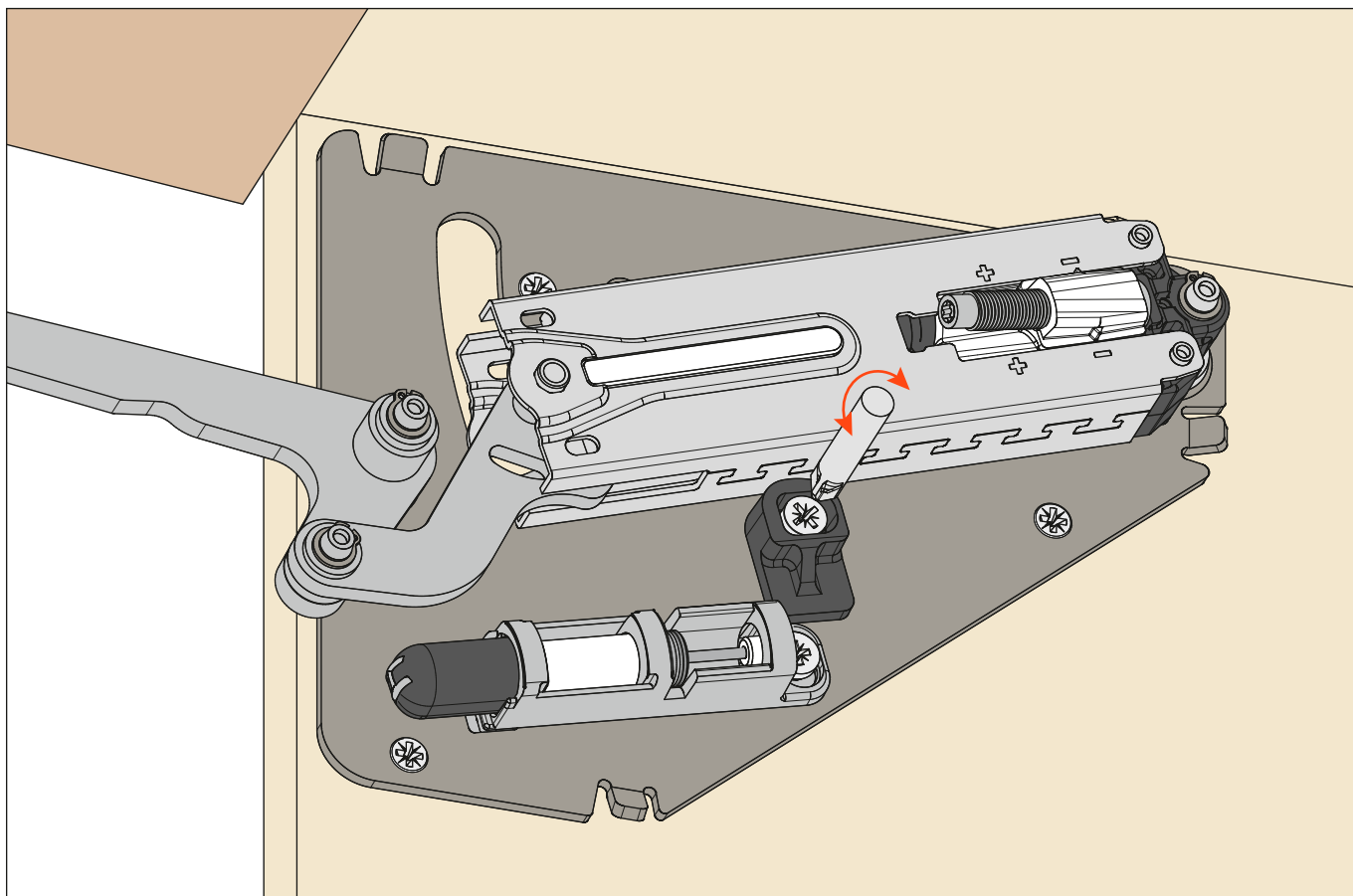




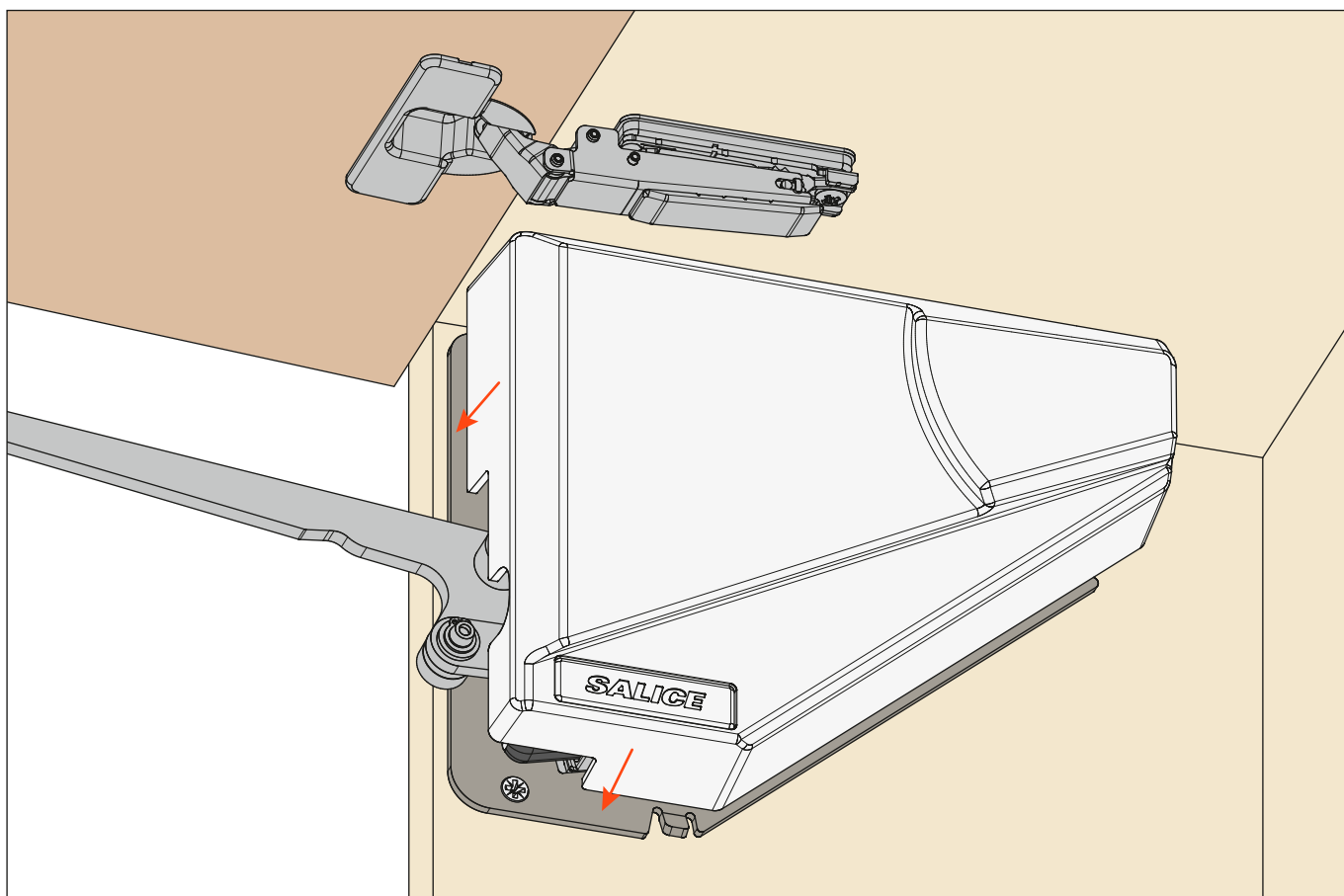
**Adjustment of the decelerating effect.**



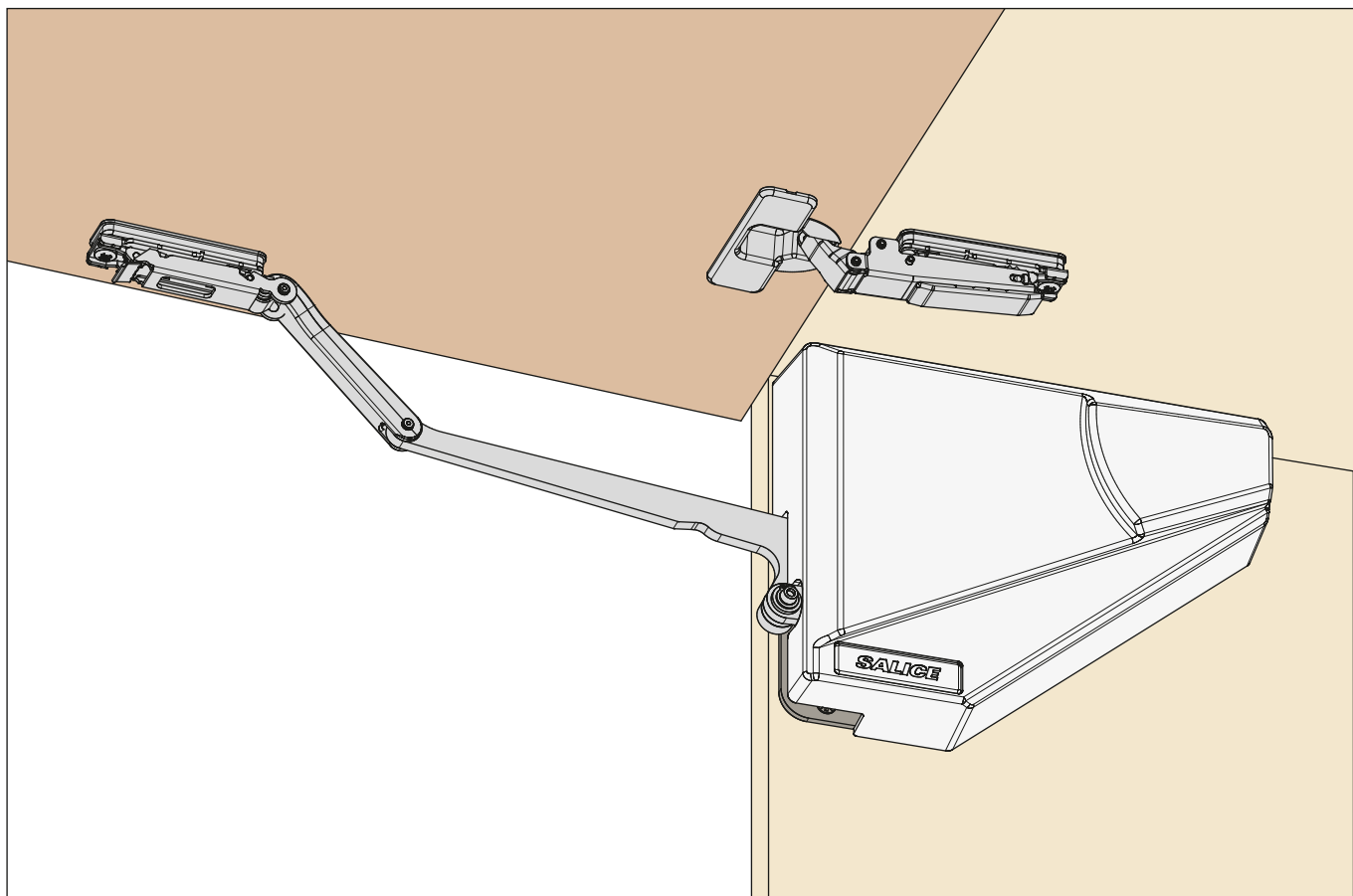
**Adjustment of the opening angle of the door, by cam, from 80° to 92°.**



**Installing the cover.**

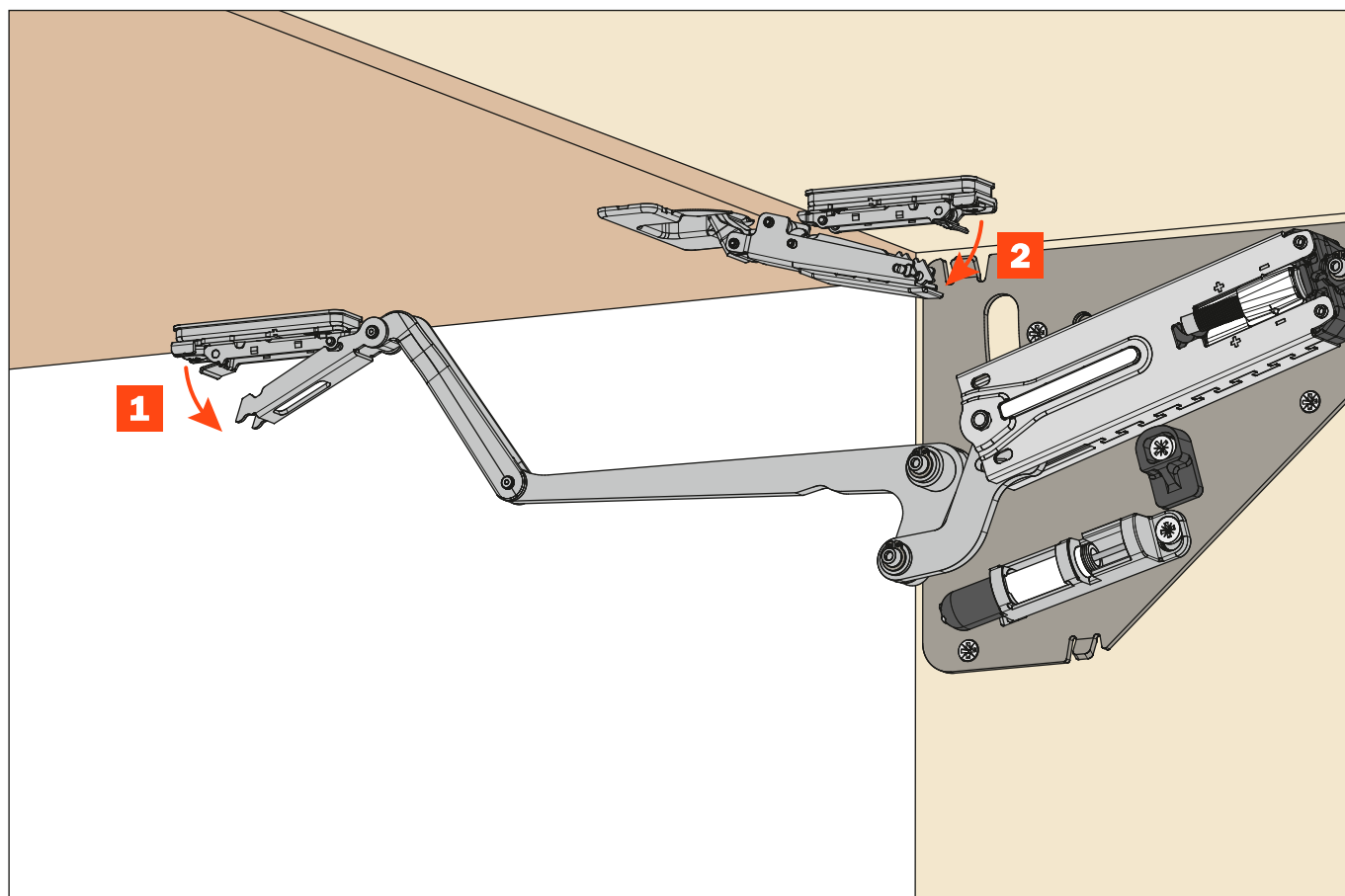


**View of the mounted system.**





**Removal of the door.**



## Dimensions of the system.

