

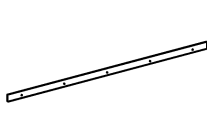


MANTION POLSKA

WWW.MANTION.PL

Thor | ROC DESIGN

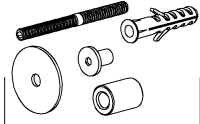
219-320, 219-330, 219-340, 219-350, 219-360
219-230, 219-231, 291-232, 291-233, 219-234



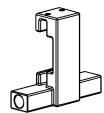
x1



x2



x4/x5/x6



x2



x2



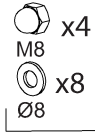
x1



St4x40

Ø6x30

x2



M8

x4

Ø8

x8

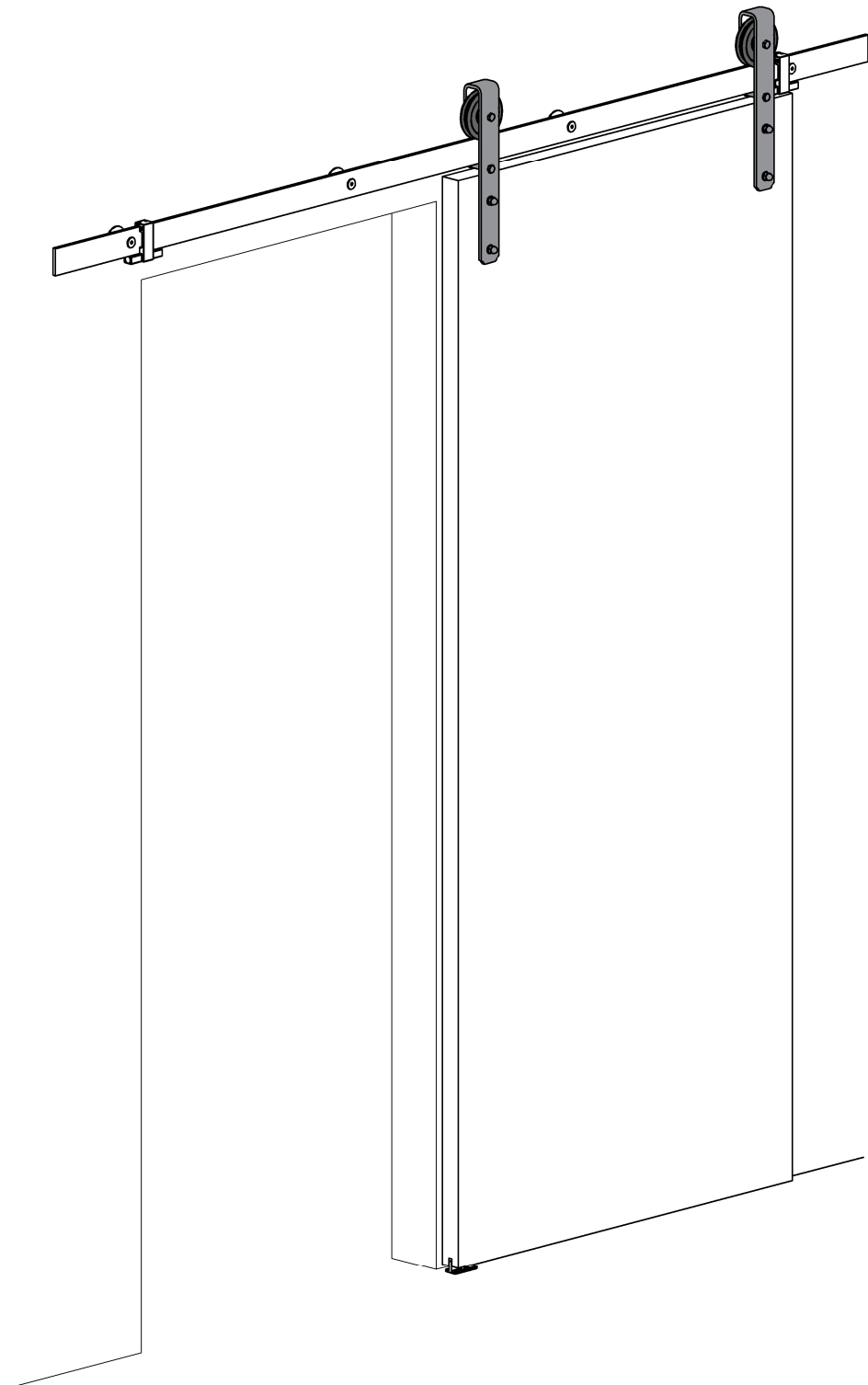


M8x55

x4



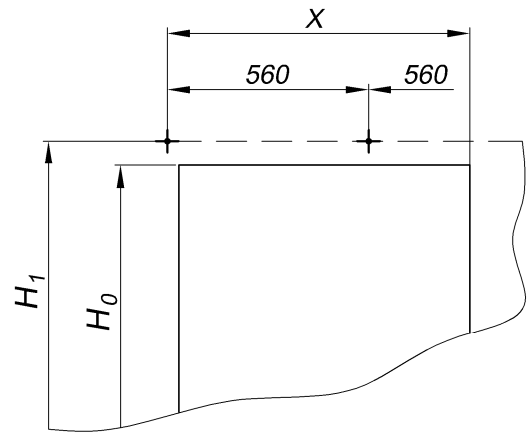
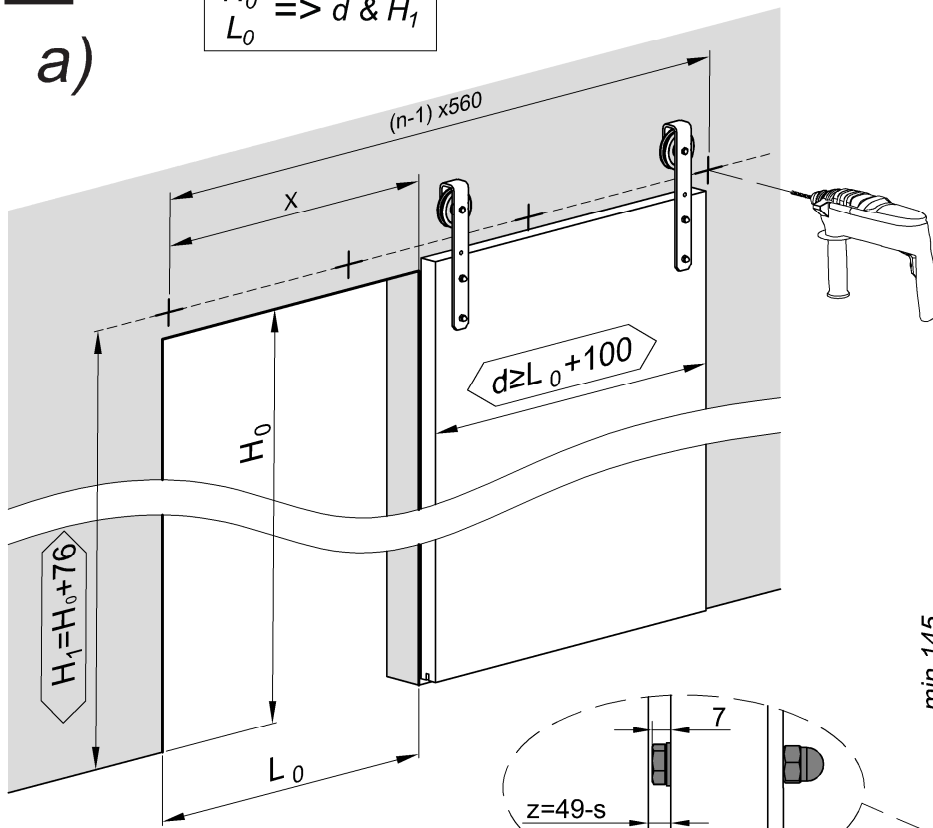
120
KG



1

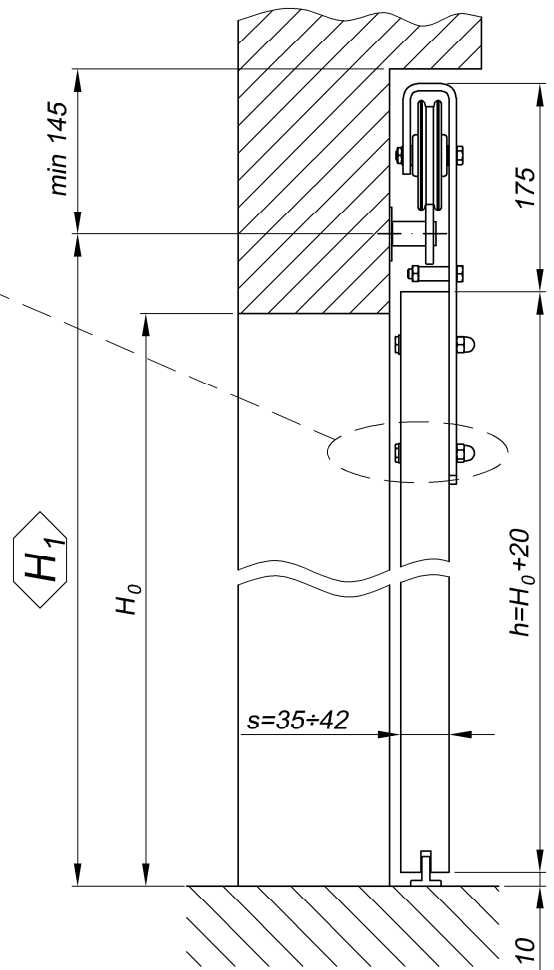
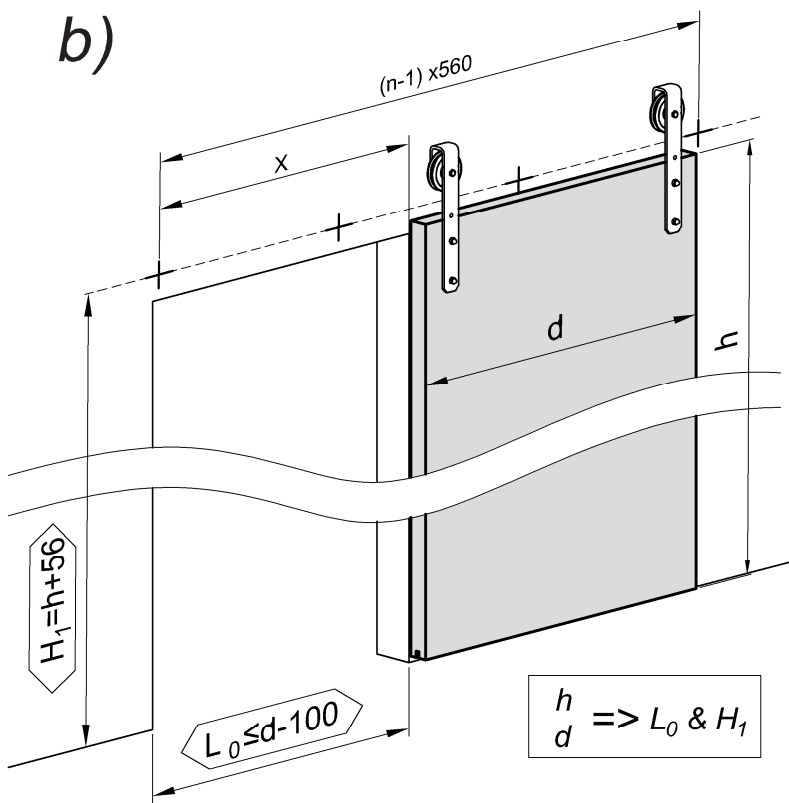
$$\begin{matrix} H_0 \\ L_0 \end{matrix} \Rightarrow d \text{ \& } H_1$$

a)

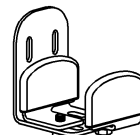


L_{Track} [mm]	1950	2400	3000
X [mm]	840	1120	1400
n [szt]	4	5	6

b)



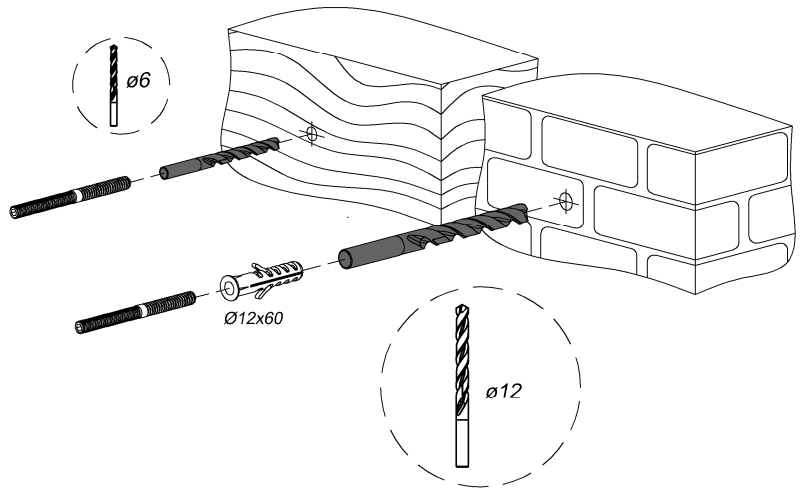
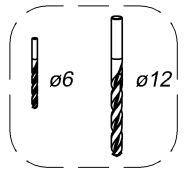
216-110
216-111



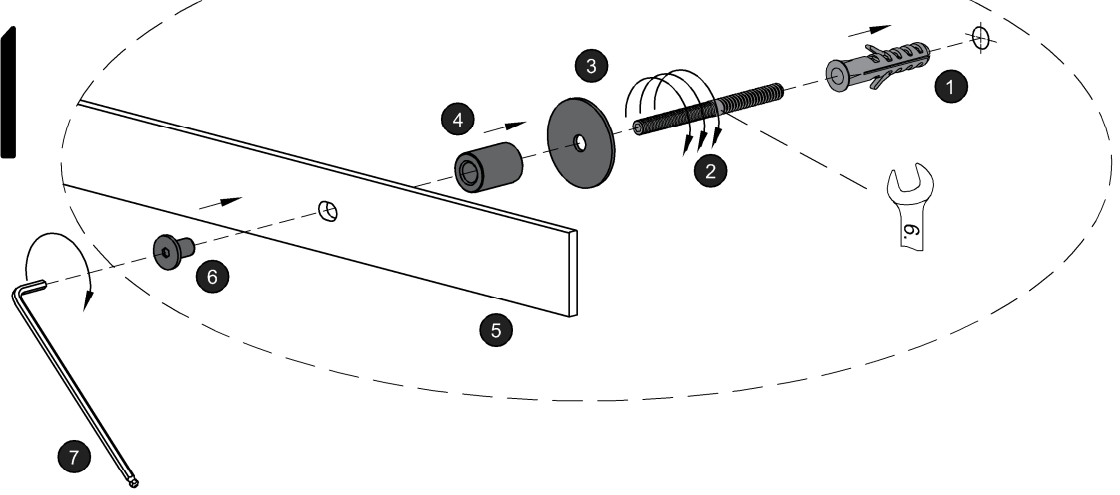
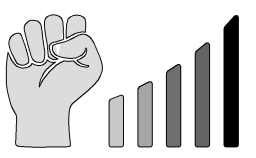
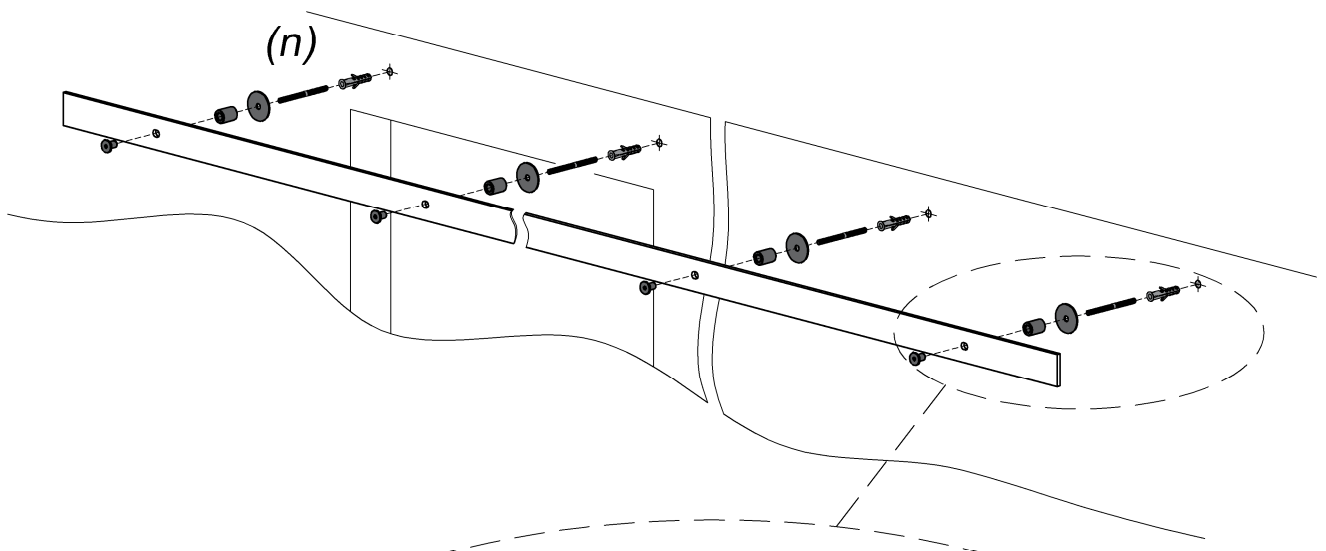
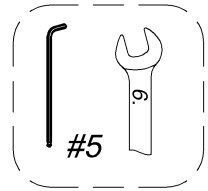
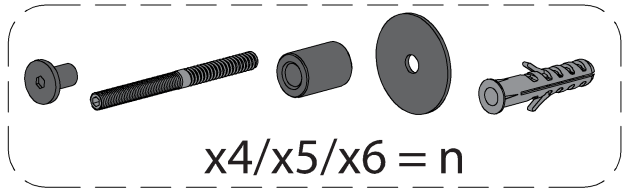
$H_1 = H_0 + 81$
 $H_1 = h + 61$



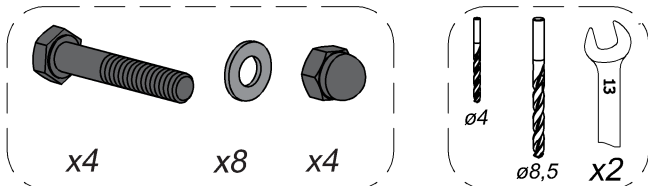
2



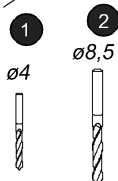
3



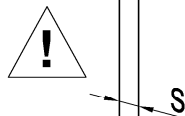
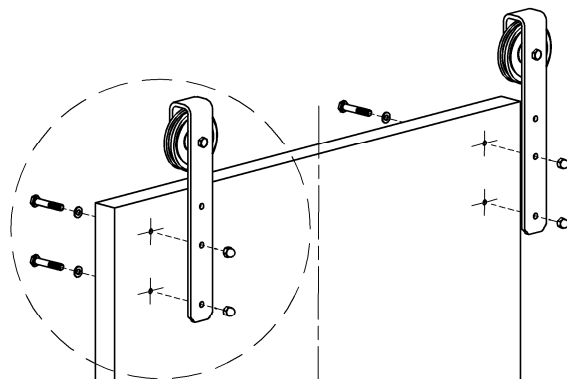
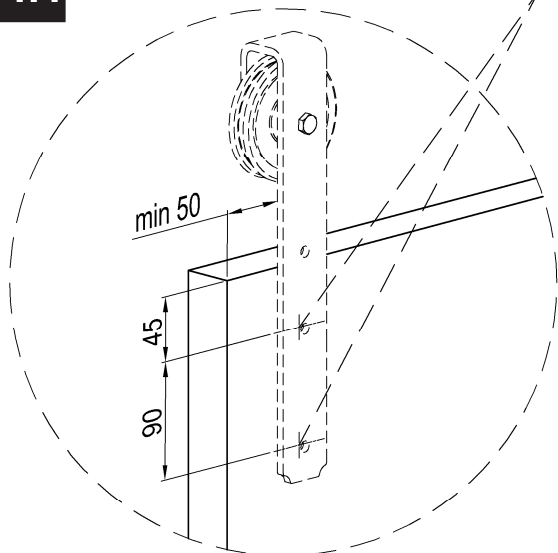
4



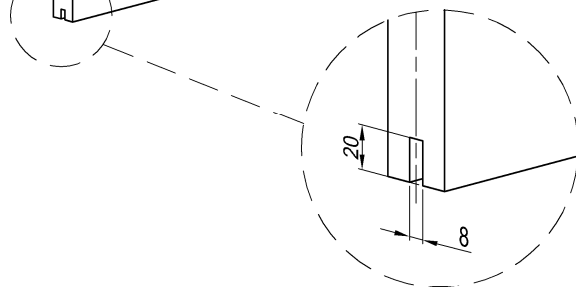
x4



4.1



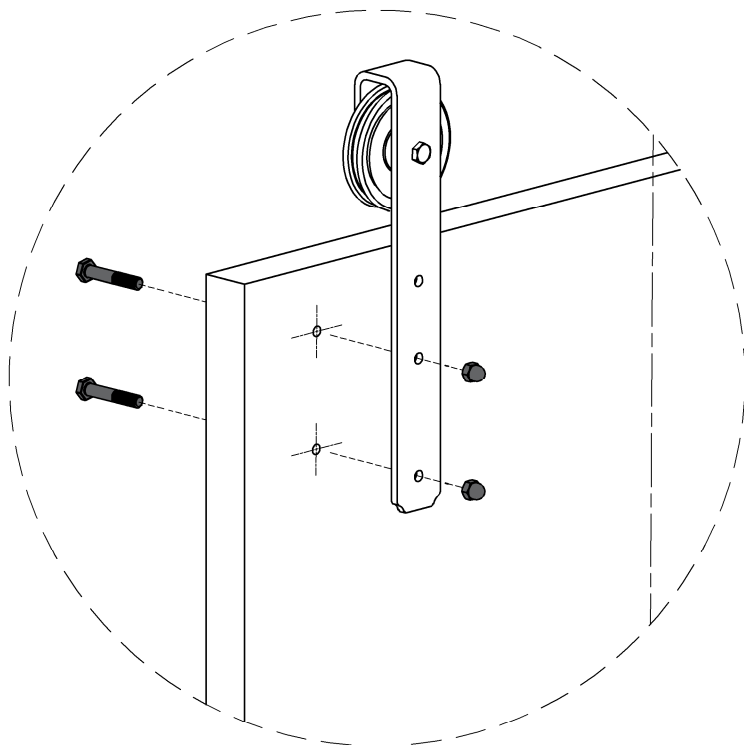
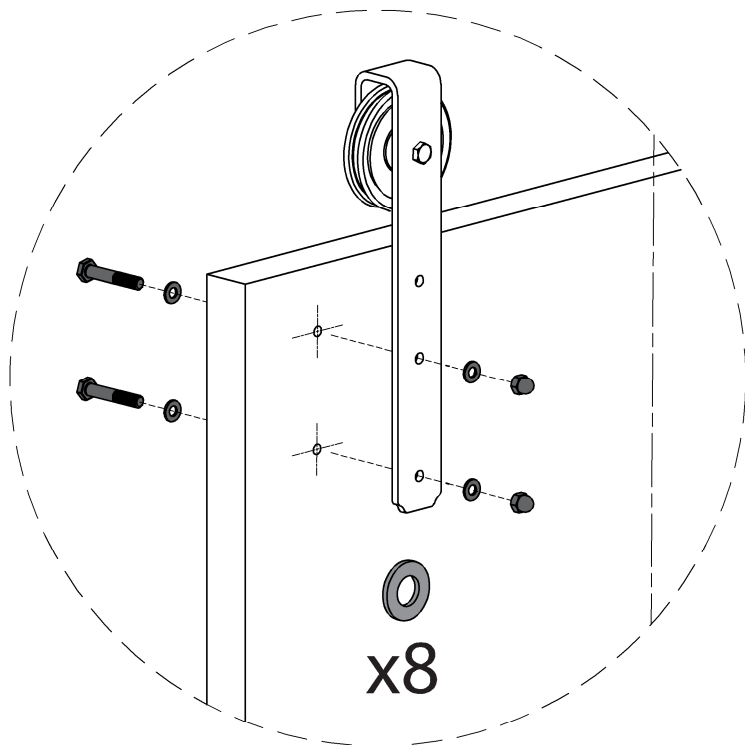
4.2



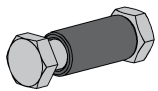
4.3

! $35 < s < 38$

$38 \leq s < 42$



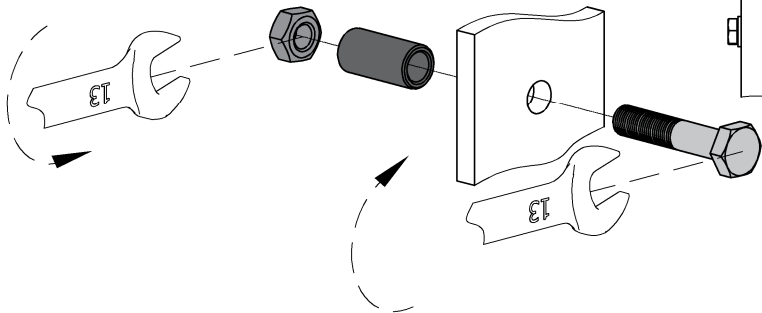
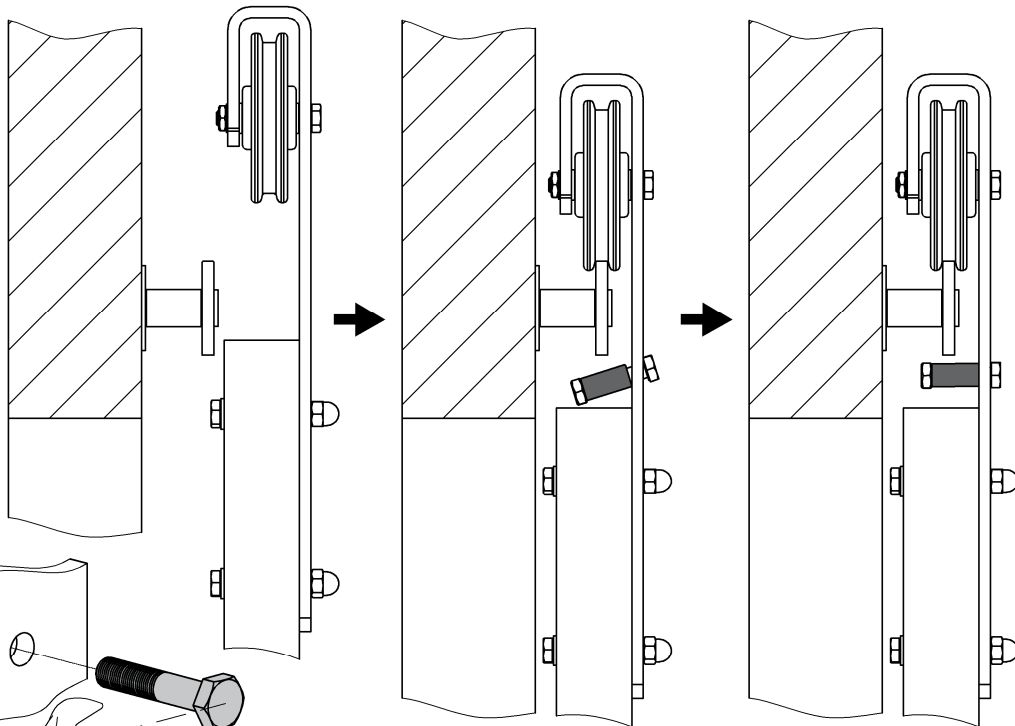
5



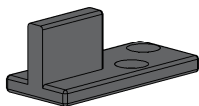
x2



x2

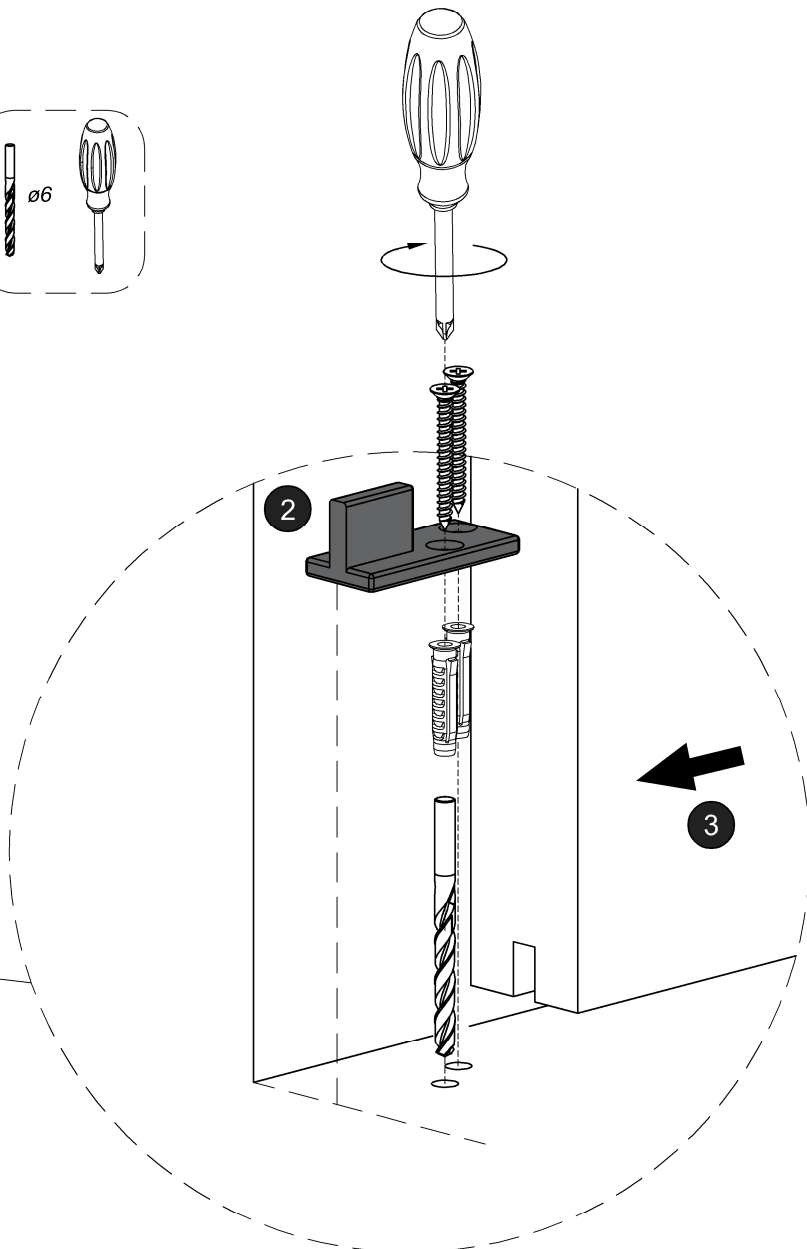
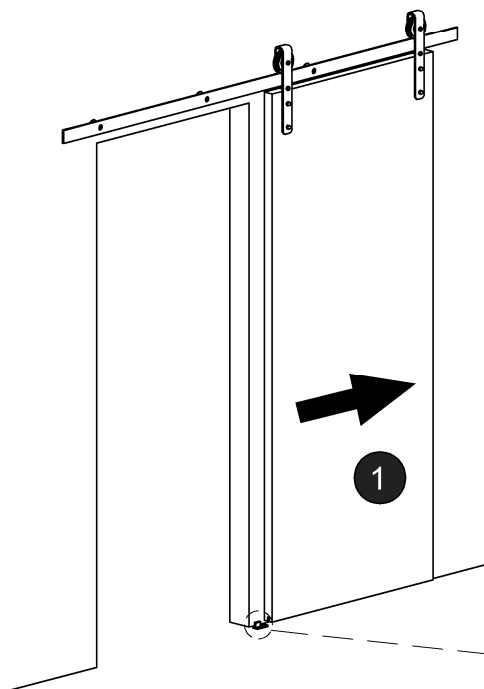
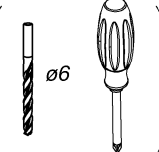


6



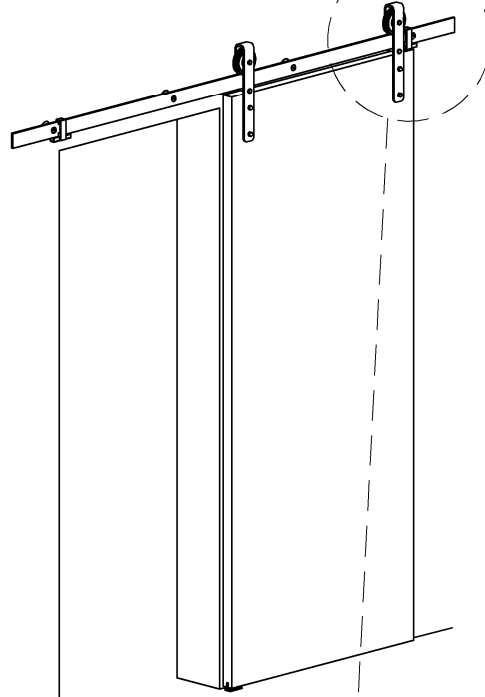
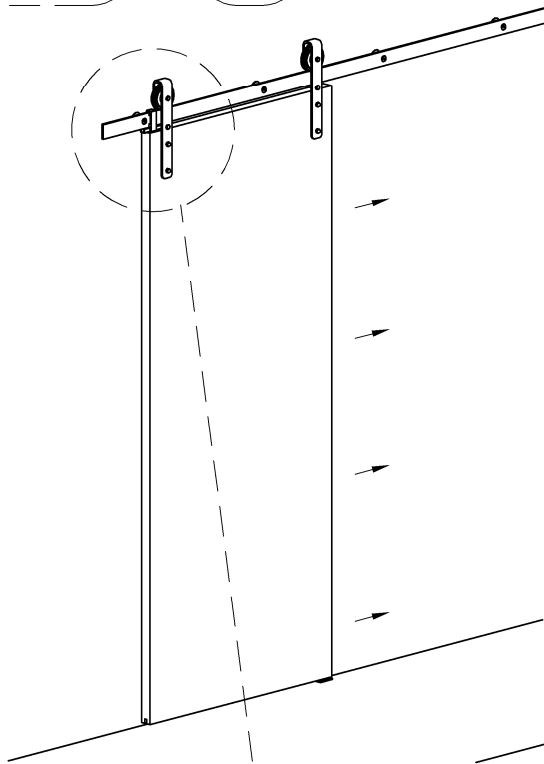
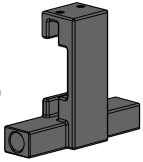
2xSt4x40

2xØ6x30



7

x2



7a

7b

