



**MANTION POLSKA**

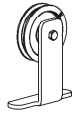
WWW.MANTION.PL

**Modi | ROC DESIGN**

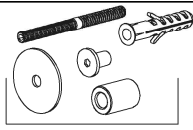
219-240, 219-241, 219-242, 219-243, 219-244  
219-321, 219-331, 219-341, 219-351, 291-361



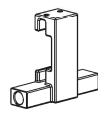
x1



x2



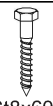
x4/x5/x6



x2



x2



St8x60

x2



x1



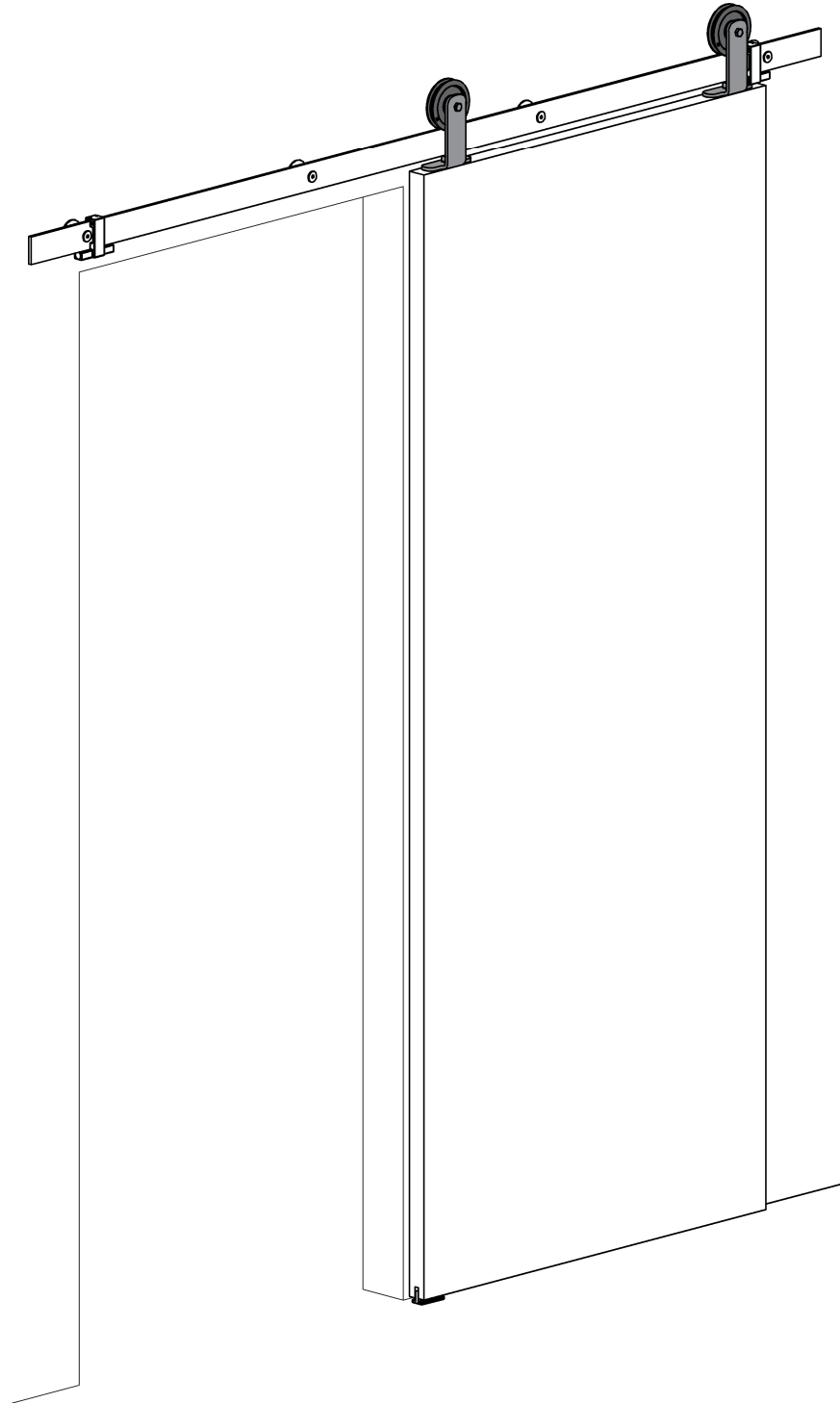
St4x40

Ø6x30

x2

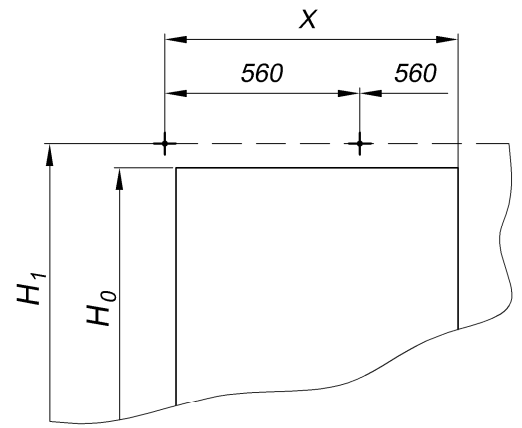
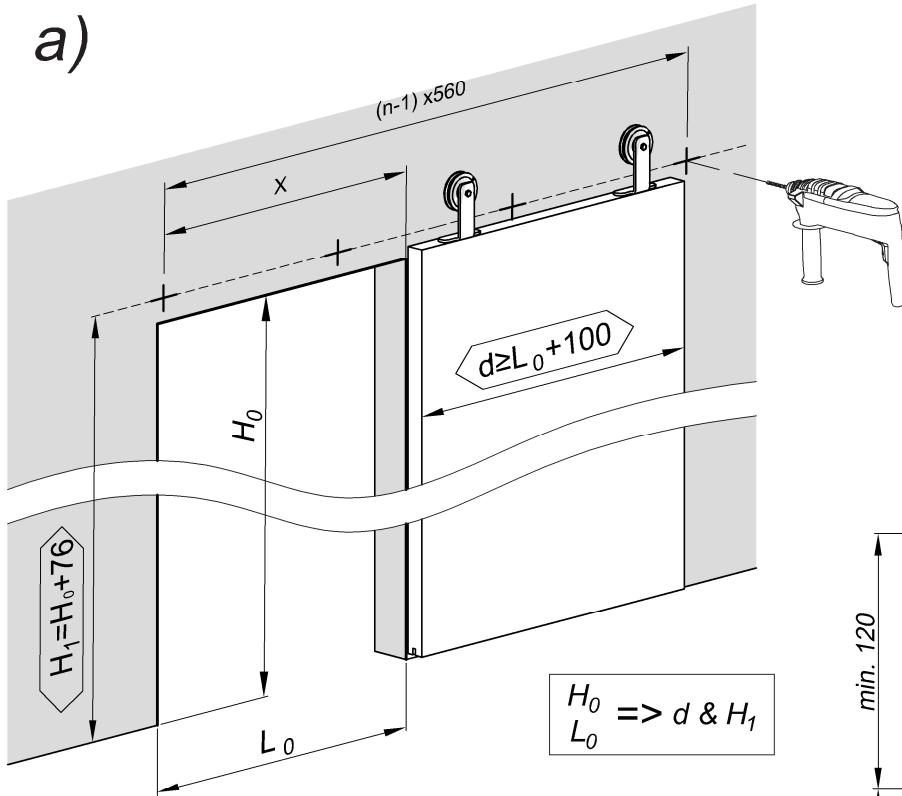


100  
KG

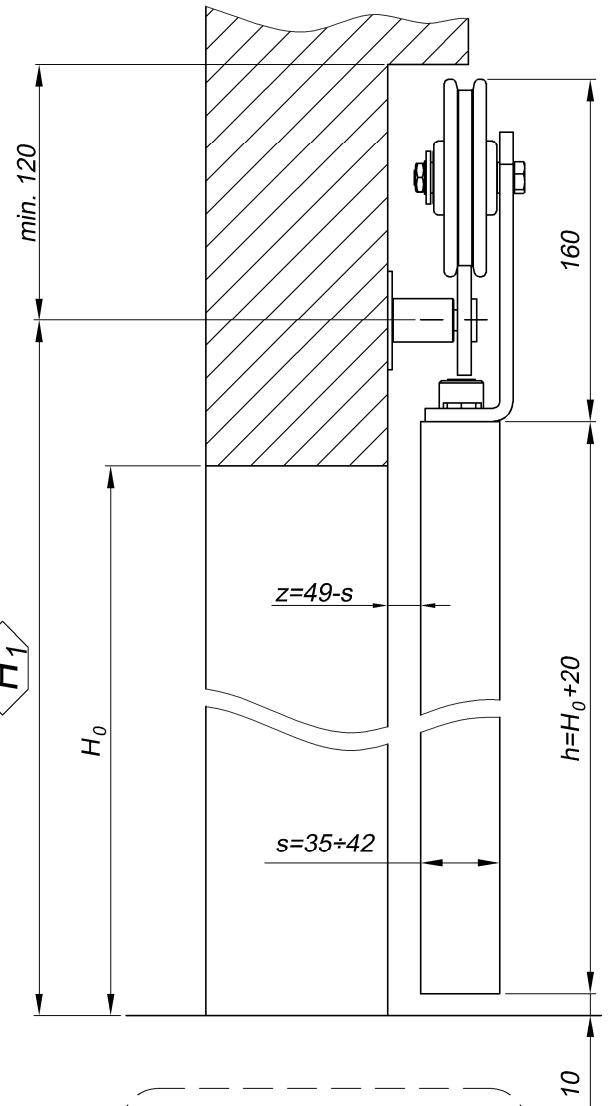


1

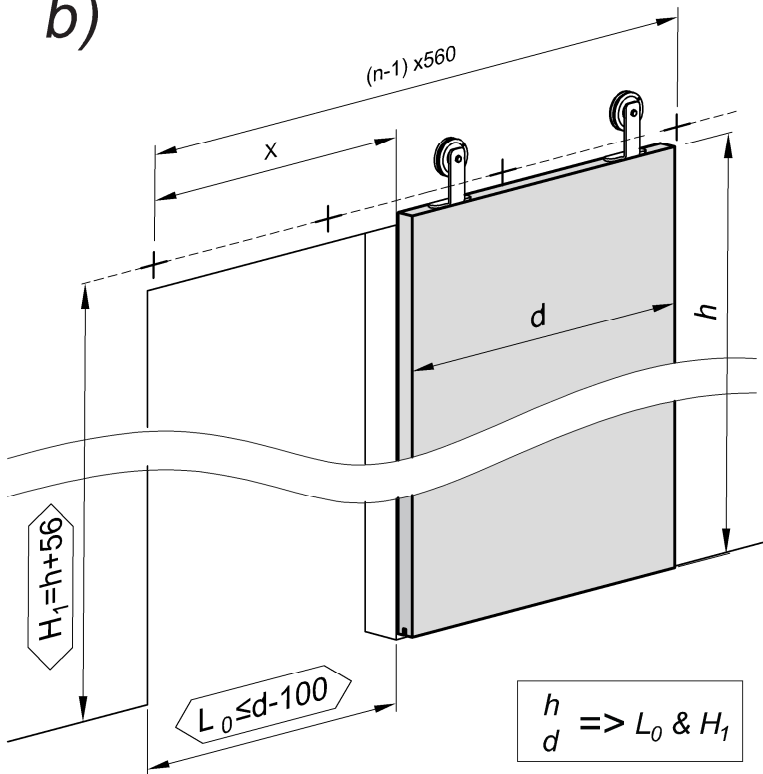
a)



$L_{Track}$ [mm]	1950	2400	3000
X [mm]	840	1120	1400
n [szt]	4	5	6





b)



H<sub>1</sub>

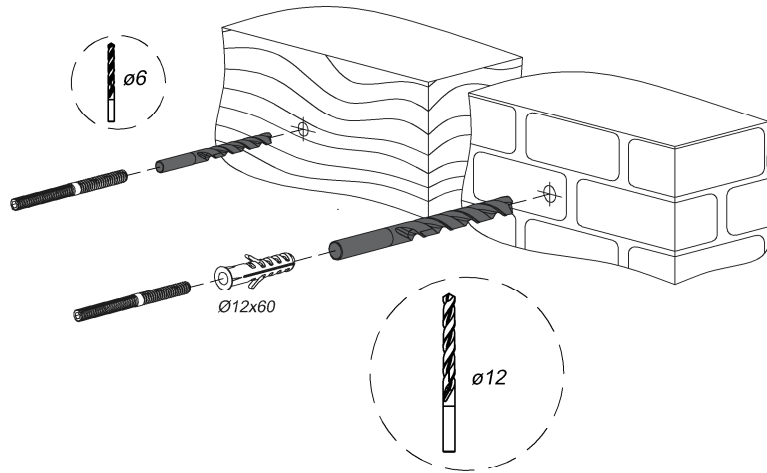
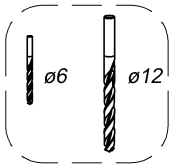
216-110  
216-111

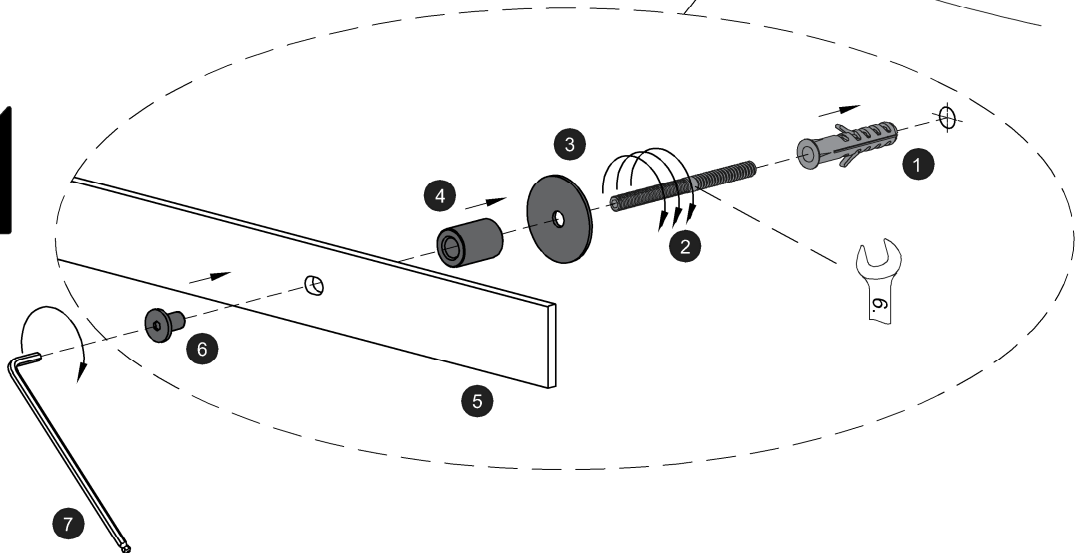
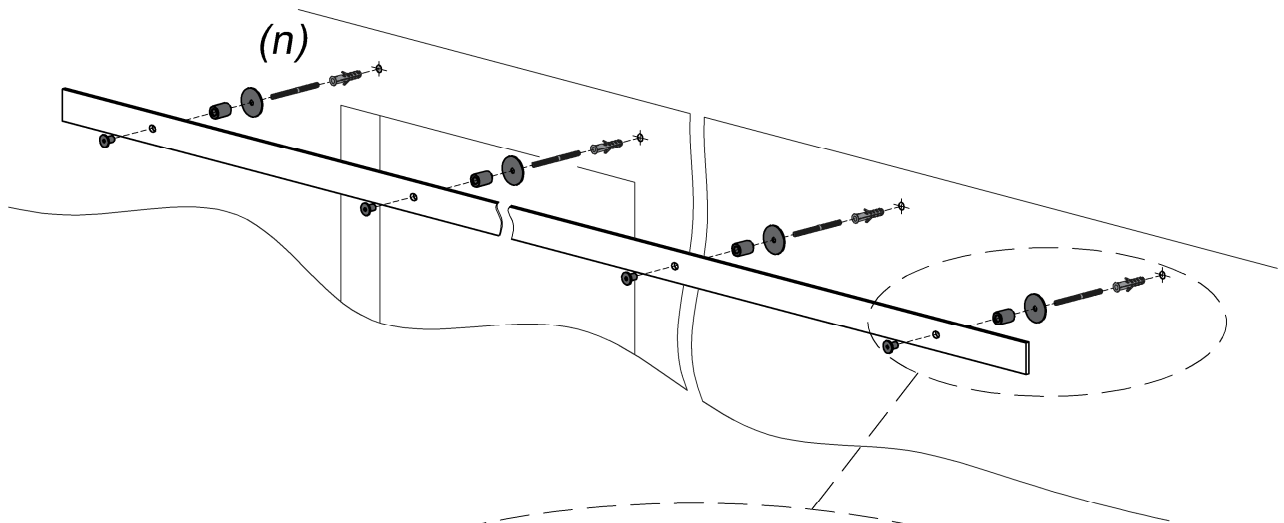
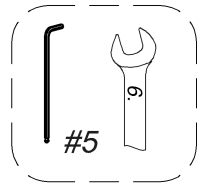
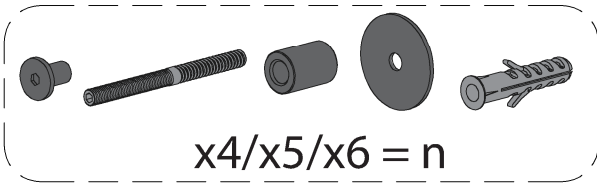
$H_1 = H_0 + 81$   
 $H_1 = h + 61$



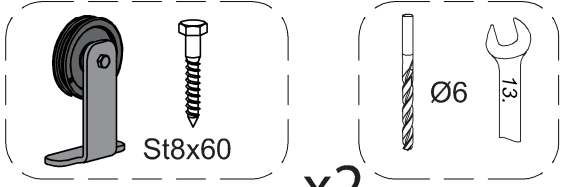
2



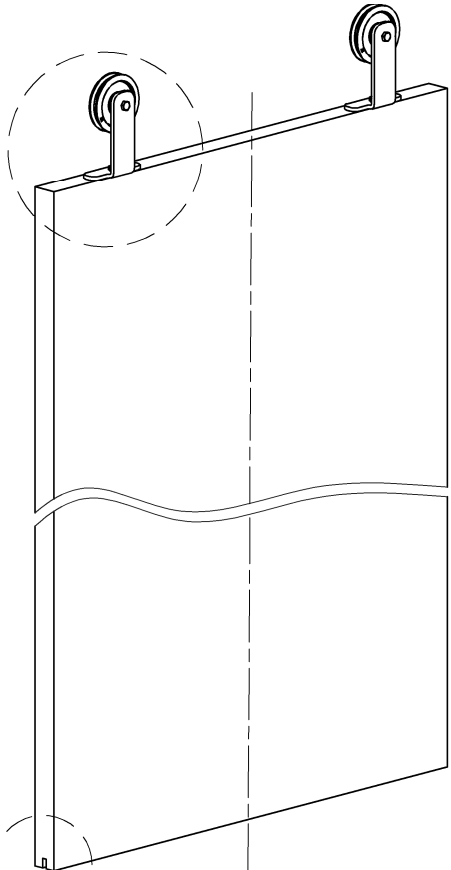
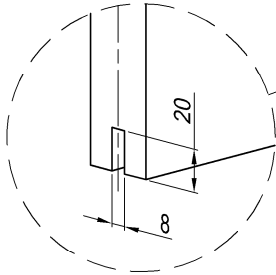
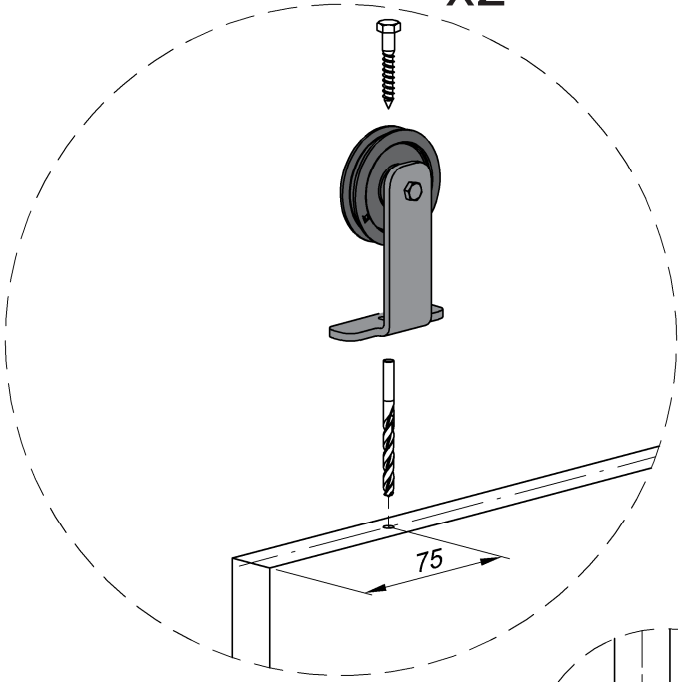
3



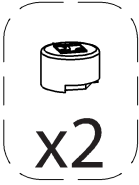
4



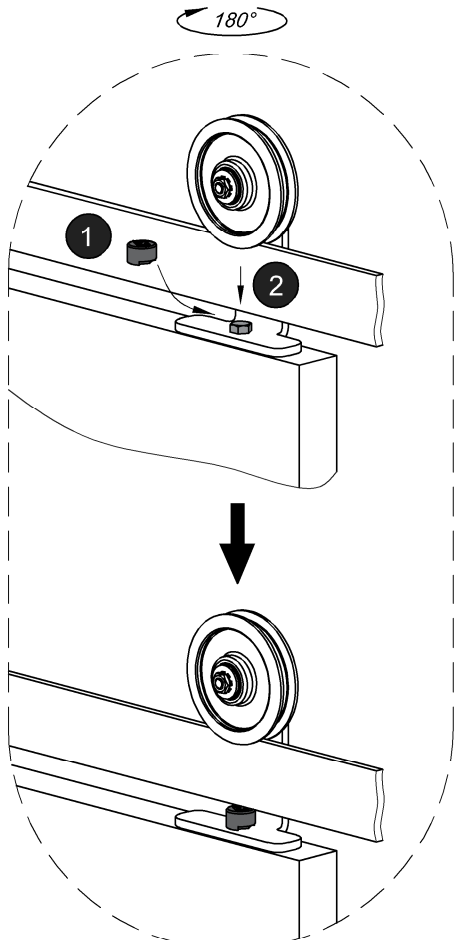
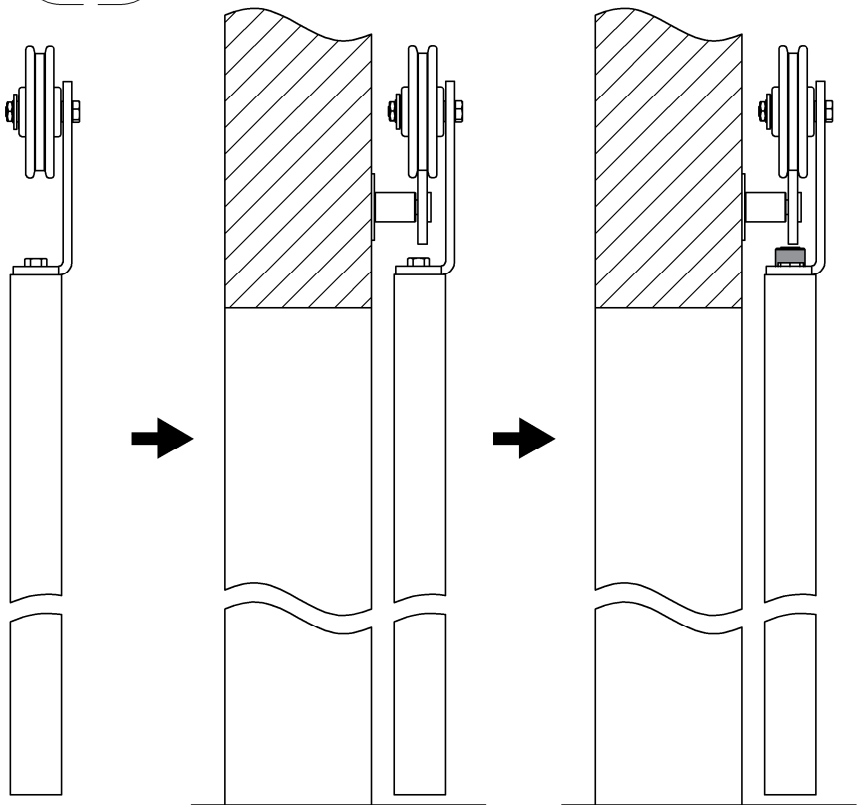
x2



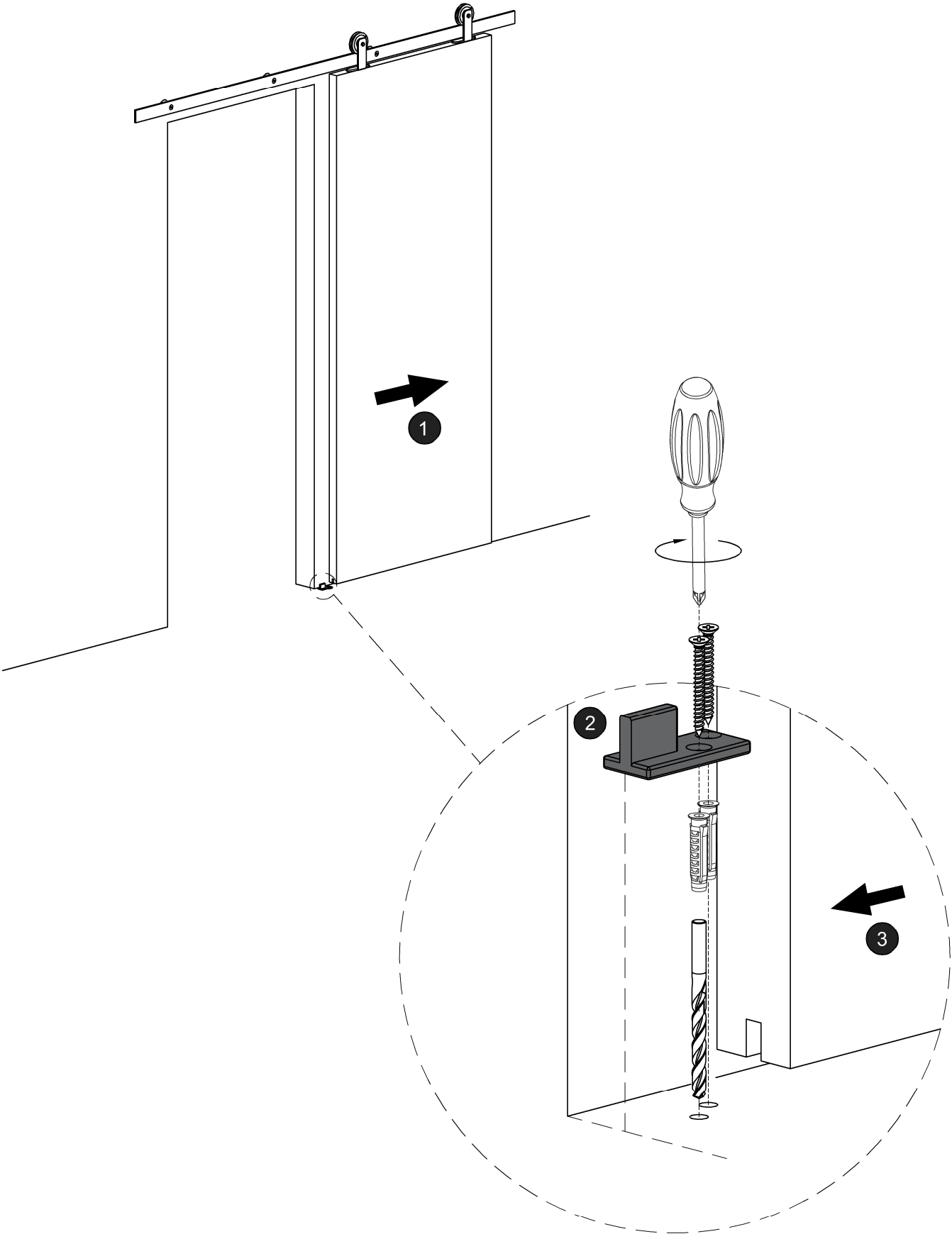
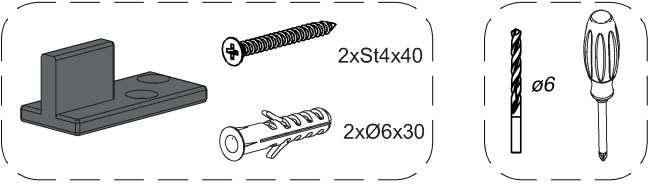
5



x2

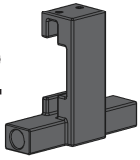


6

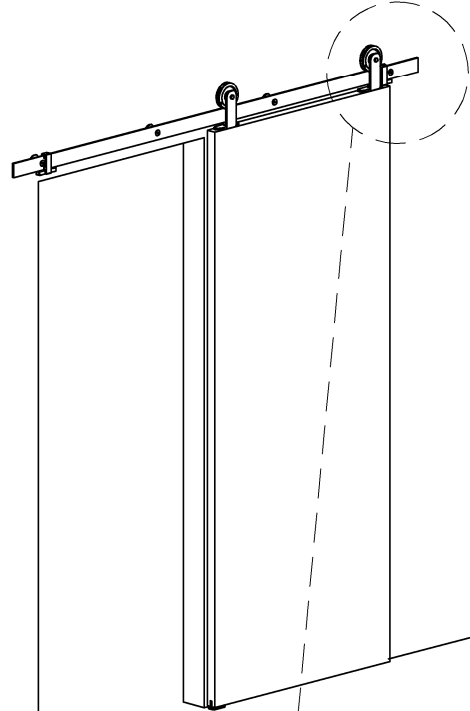
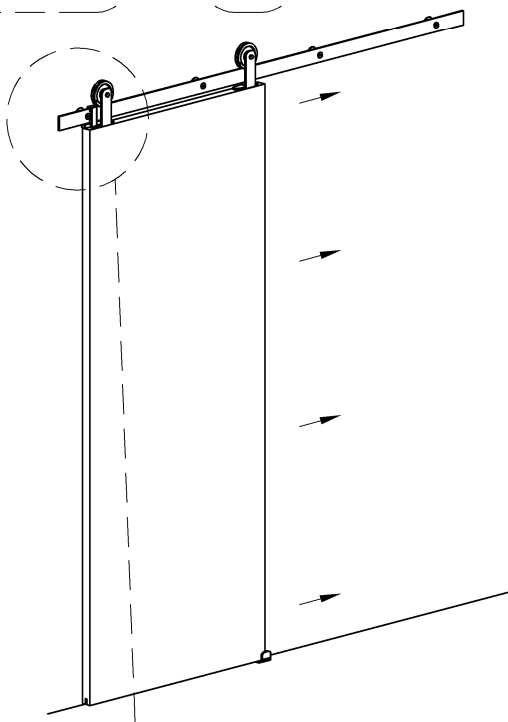


7

x2



#2



7a

7b

