



MANTION POLSKA

WWW.MANTION.PL

Ran | ROC DESIGN

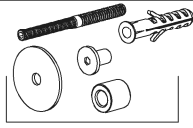
219-246, 219-247, 219-248, 219-249
219-333, 219-343, 291-353, 291-363



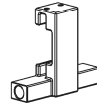
x1



x2



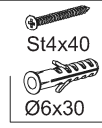
x4/x5/x6



x2



x1



St4x40

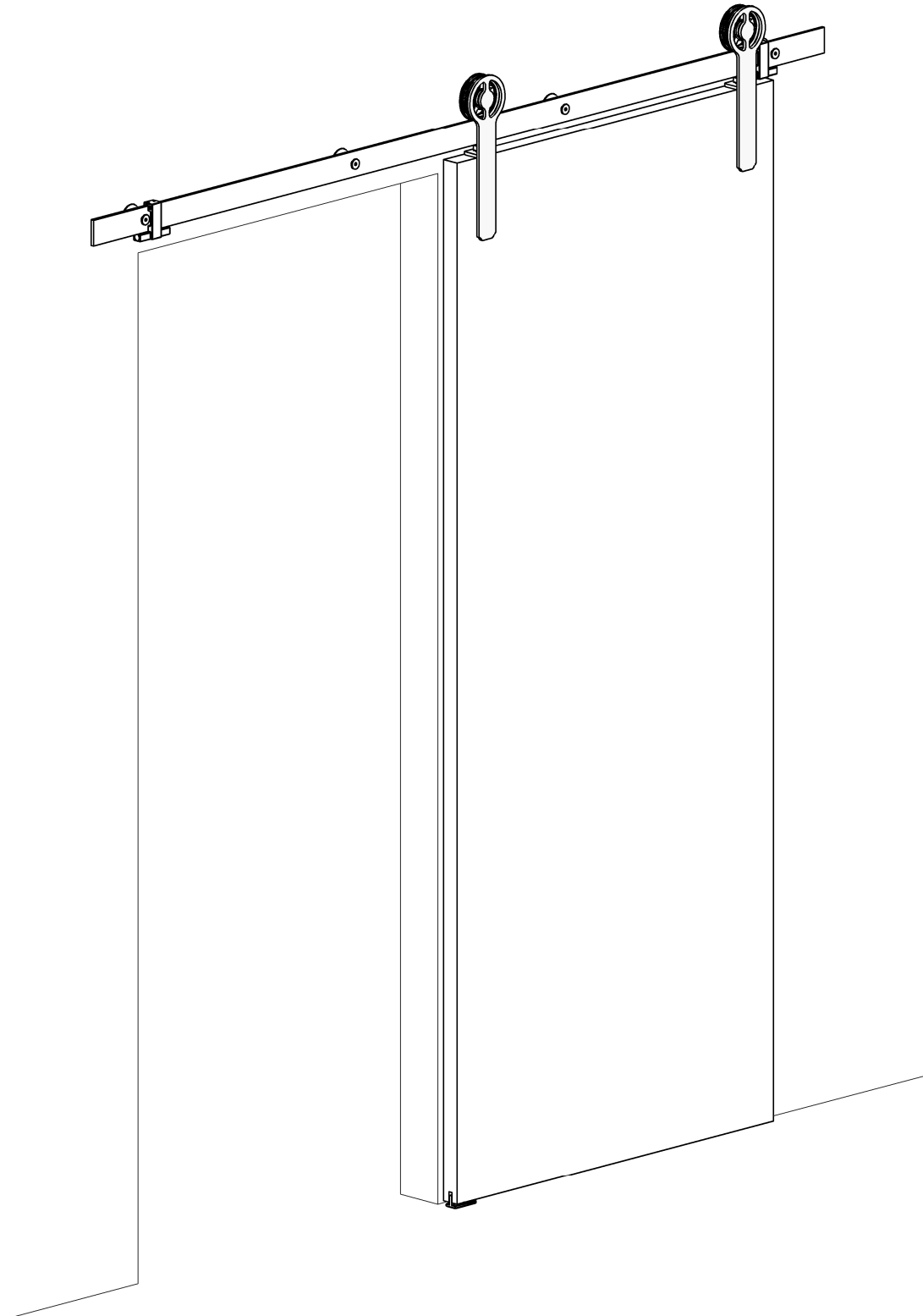
Ø6x30

x2

St8x60

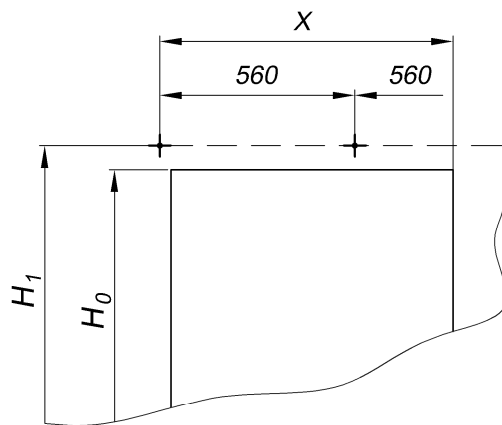
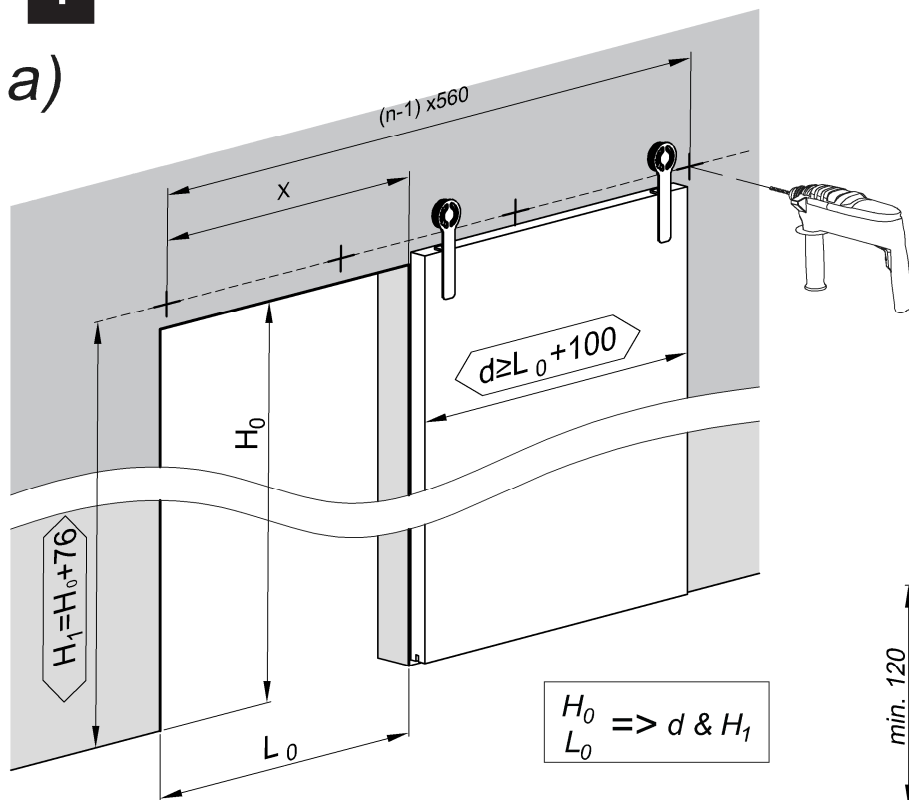


x2



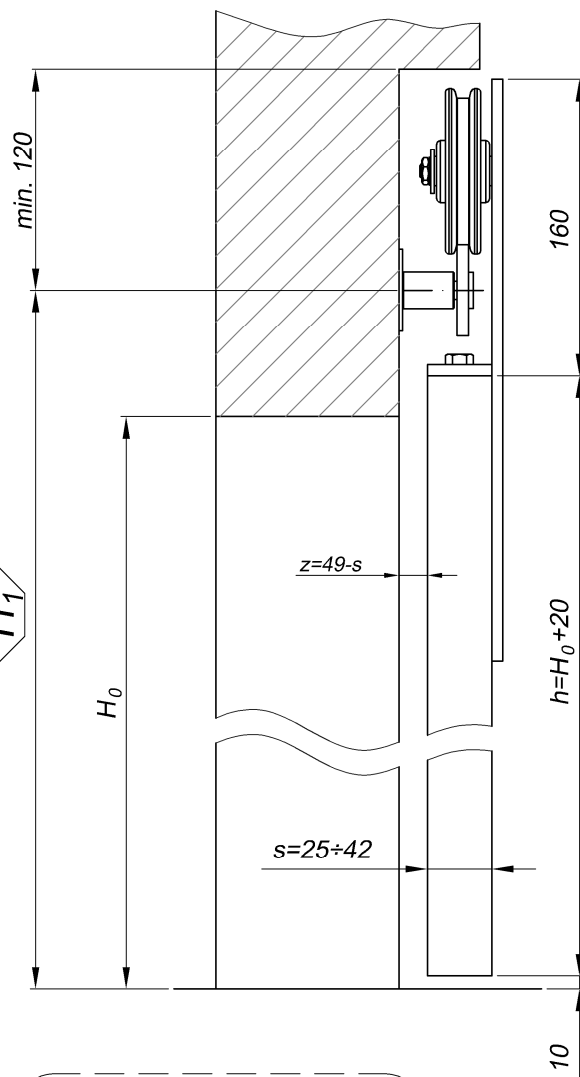
1

a)

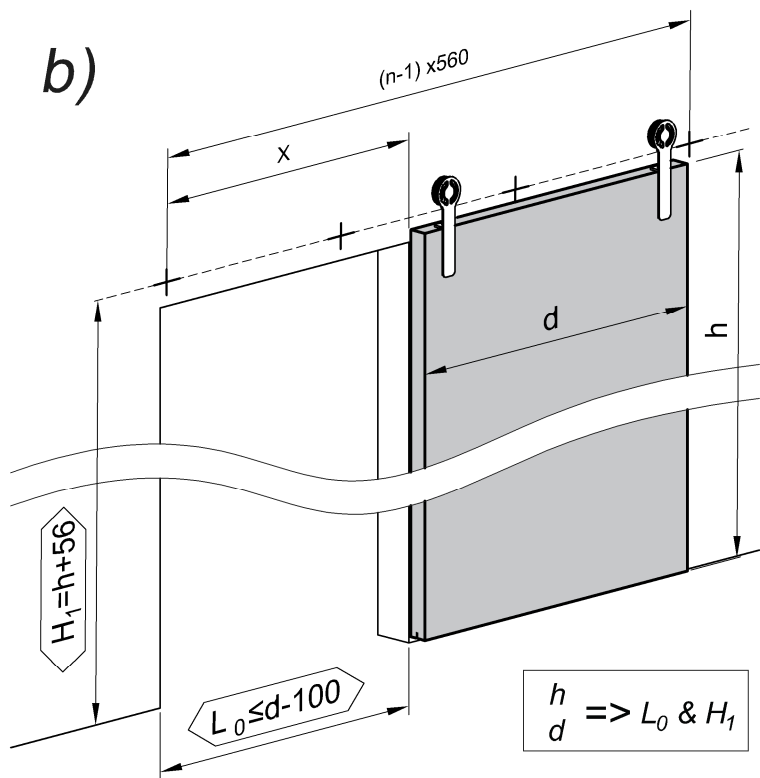


L_{Track} [mm]	1950	2400	3000
X [mm]	840	1120	1400
n [szt]	4	5	6

$H_0 \Rightarrow d \ \& \ H_1$
 L_0

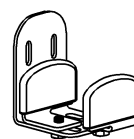


b)



$h \Rightarrow L_0 \ \& \ H_1$
 d

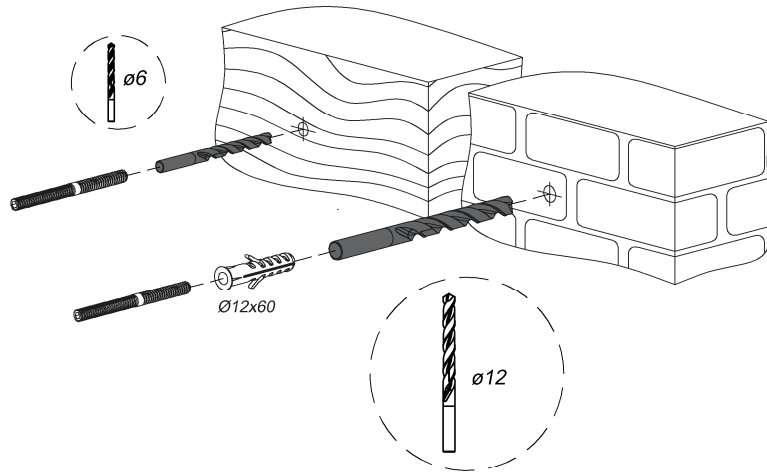
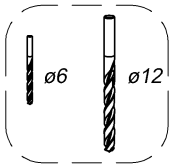
216-110
216-111



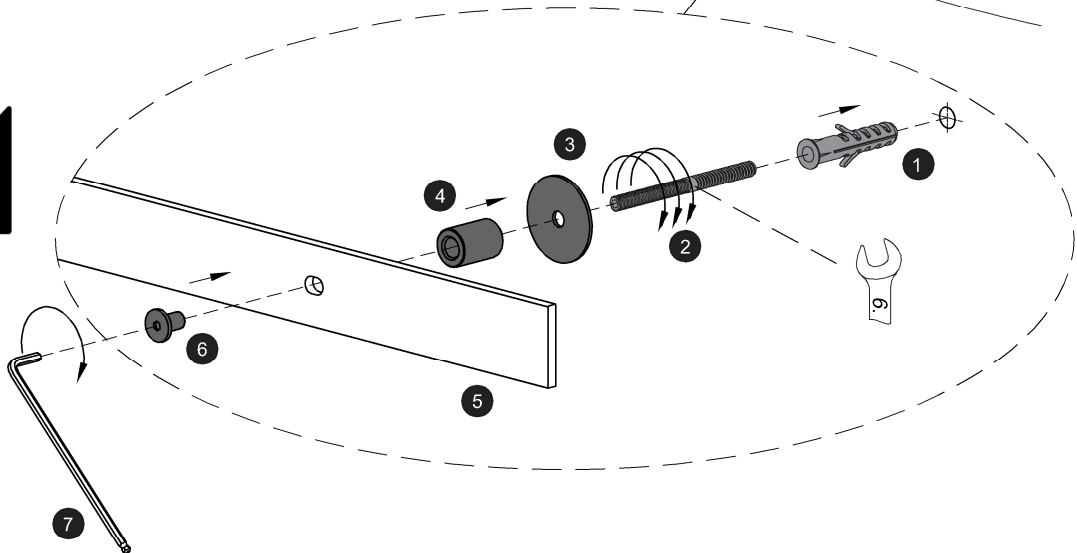
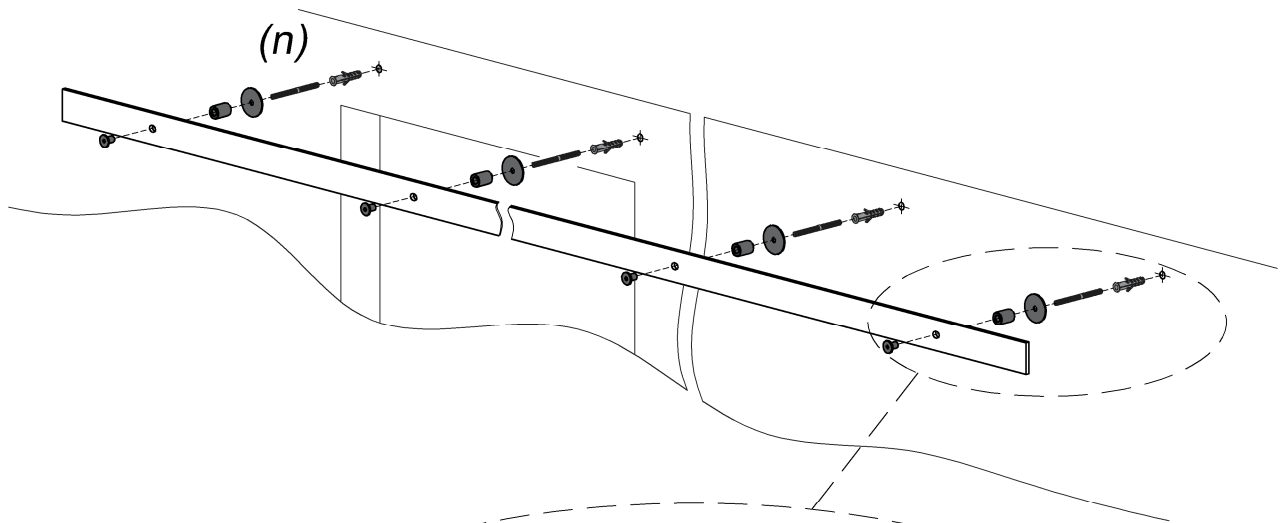
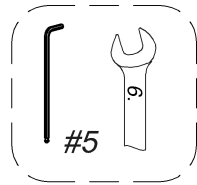
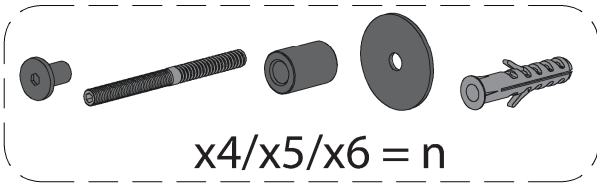
$H_1 = H_0 + 81$
 $H_1 = h + 61$



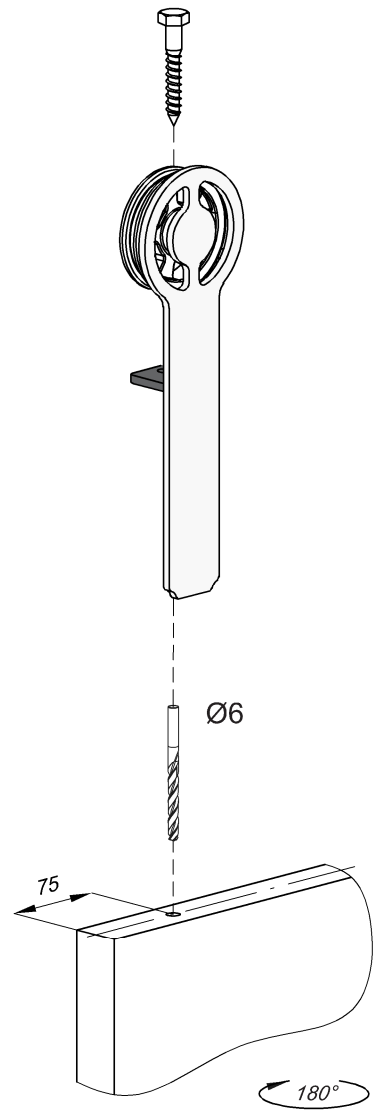
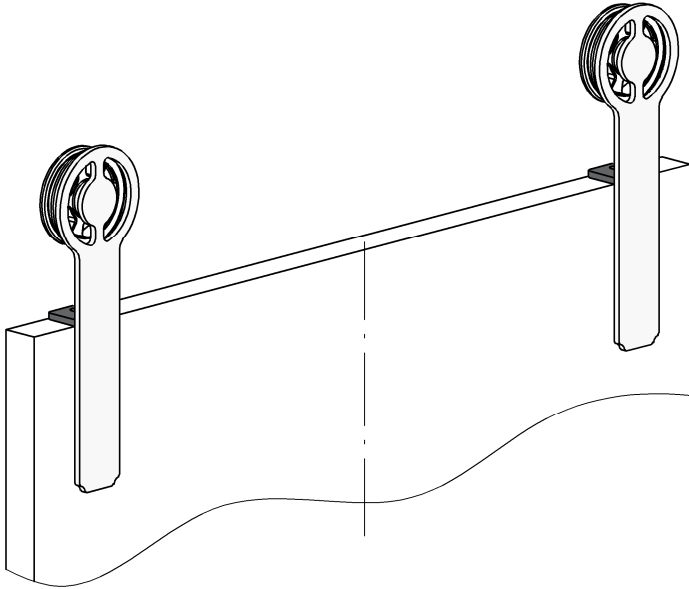
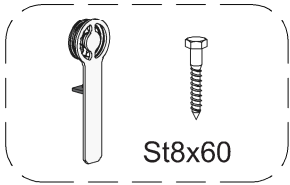
2



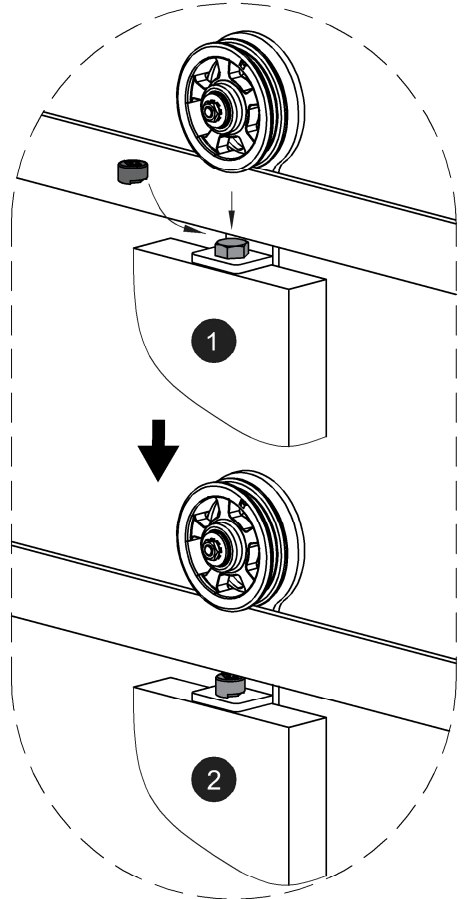
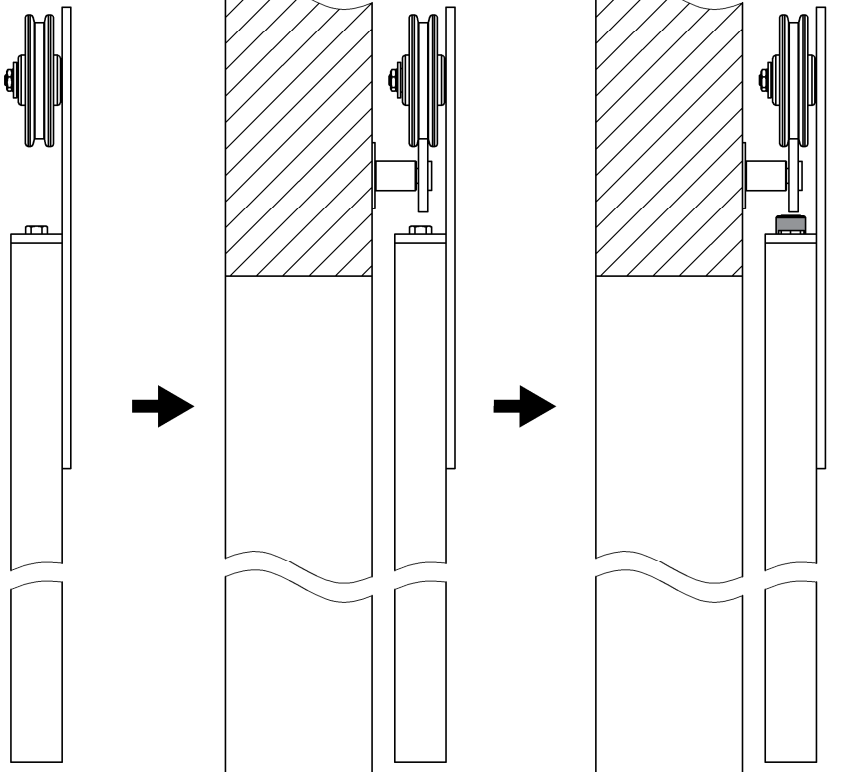
3



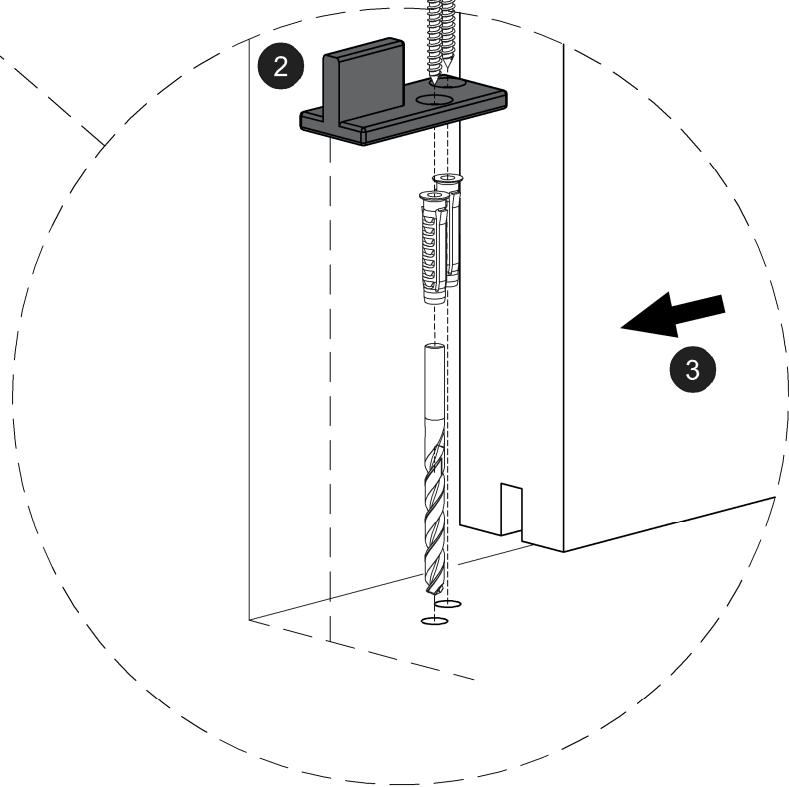
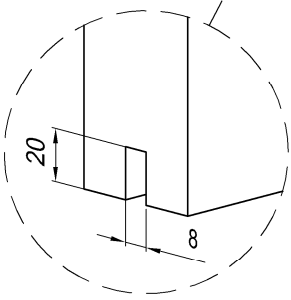
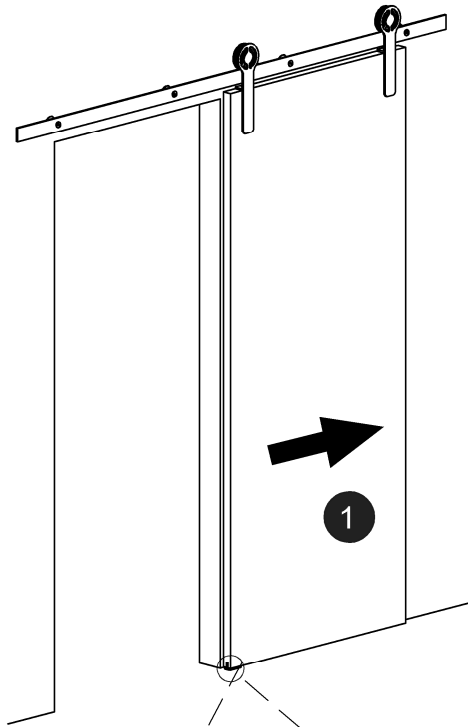
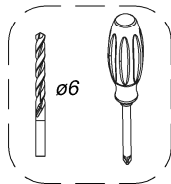
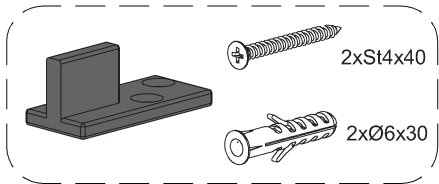
4



5

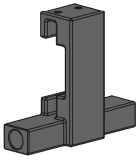


6

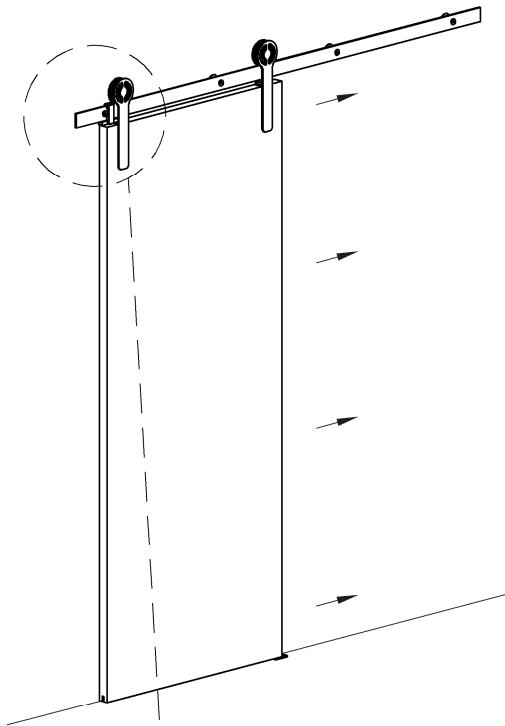
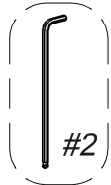


7

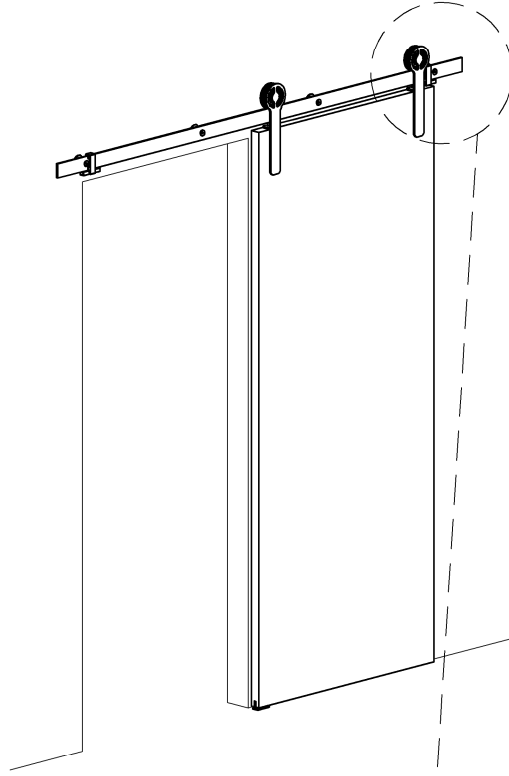
x2



#2



7a



7b

