

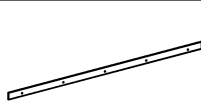


MANTION POLSKA

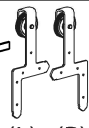
WWW.MANTION.PL

Idun | ROC DESIGN

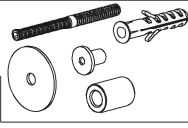
219-250, 219-251, 219-252, 219-253, 219-254
219-324, 219-334, 291-344, 291-354, 219-364



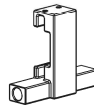
x1



(L)+(R)



x4/x5/x6



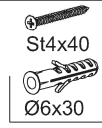
x2



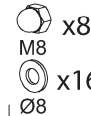
x2



x1



x2



M8 x8

Ø8 x16

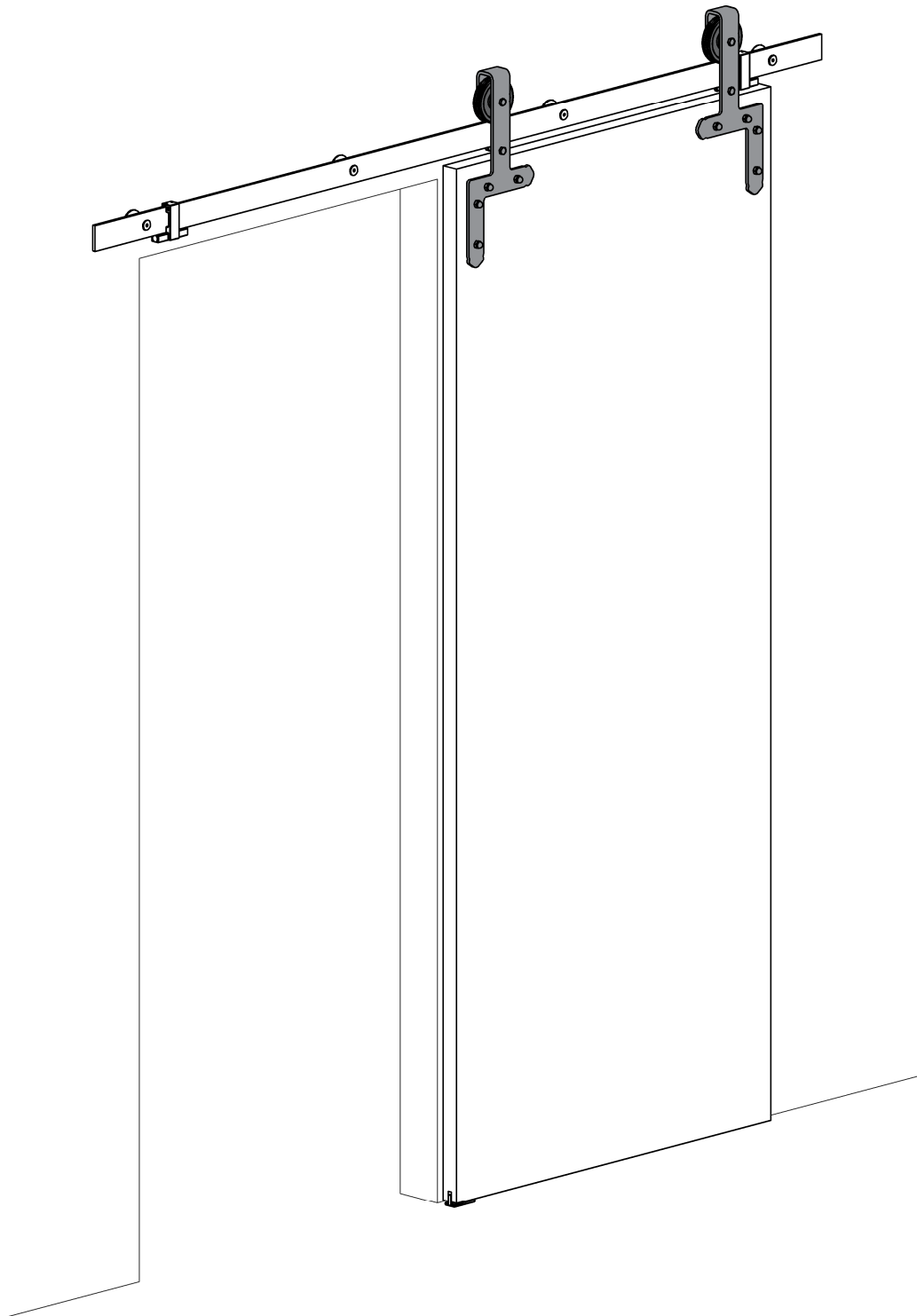


M8x55

x8



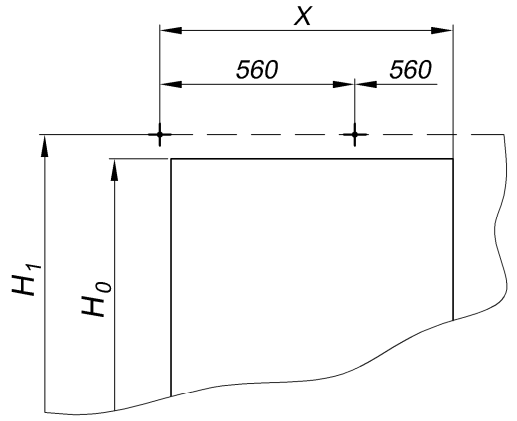
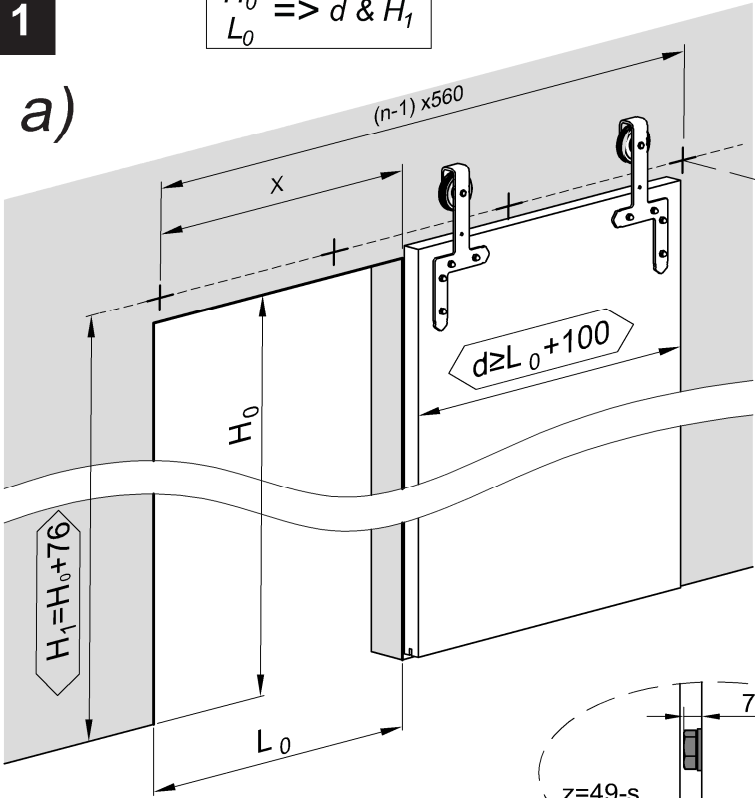
120
KG



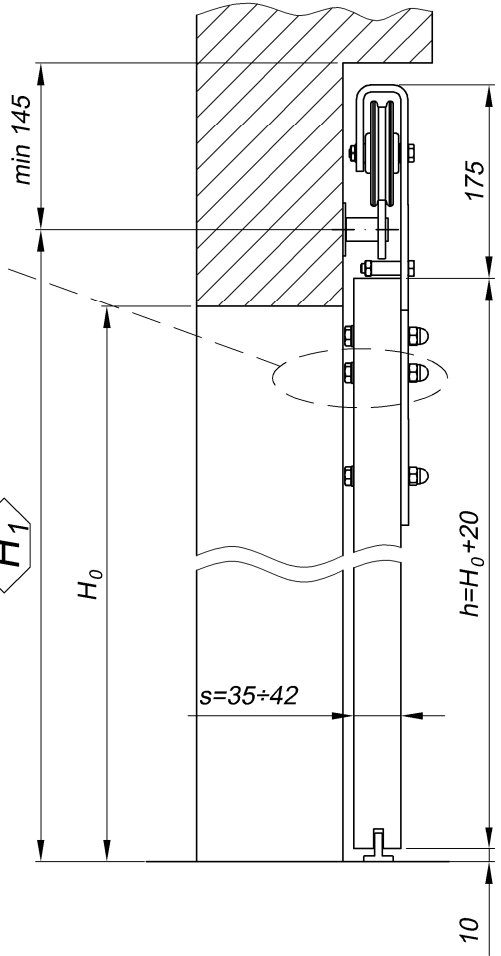
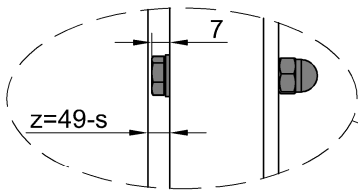
1

$H_0 \Rightarrow d \& H_1$
 L_0

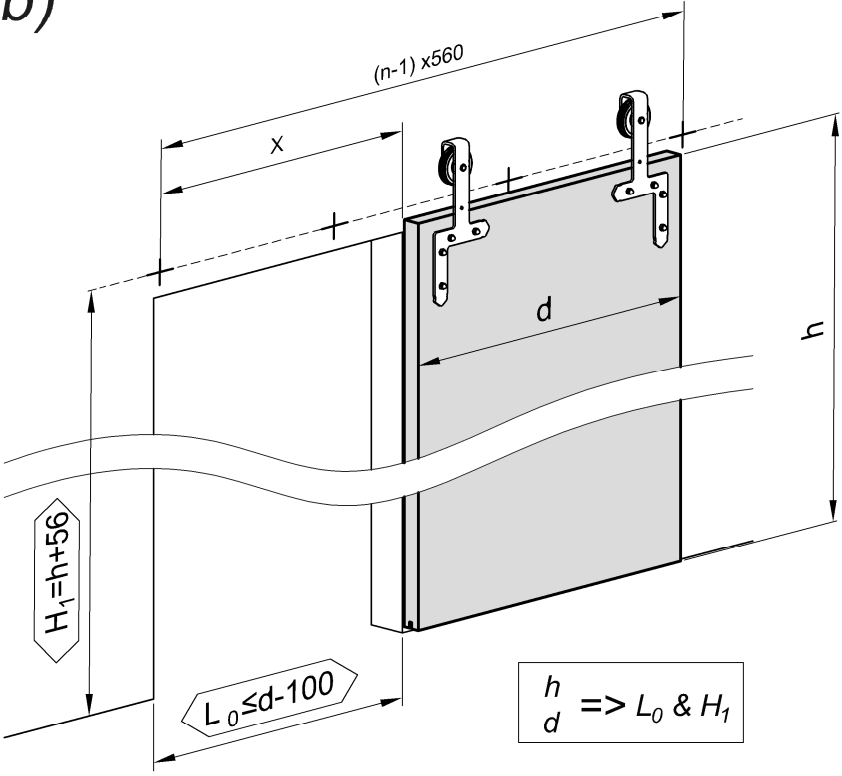
a)



L_{Track} [mm]	1950	2400	3000
X [mm]	840	1120	1400
n [szt]	4	5	6



b)



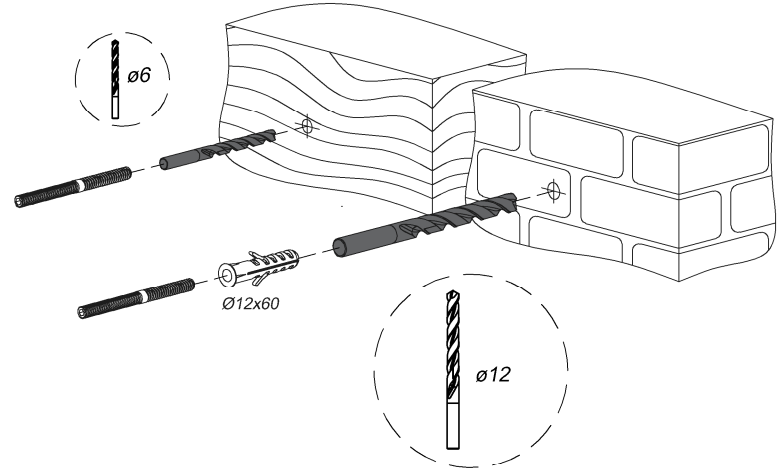
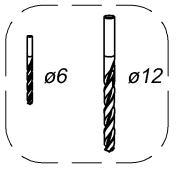
$h \Rightarrow L_0 \& H_1$
 d

216-110
216-111

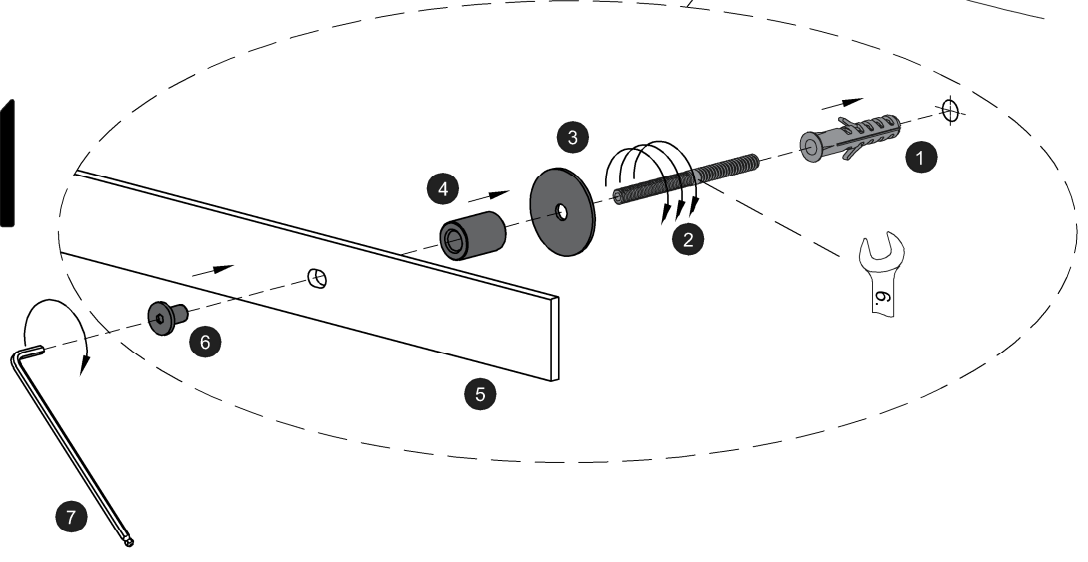
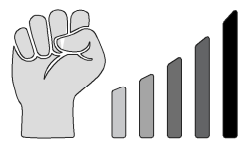
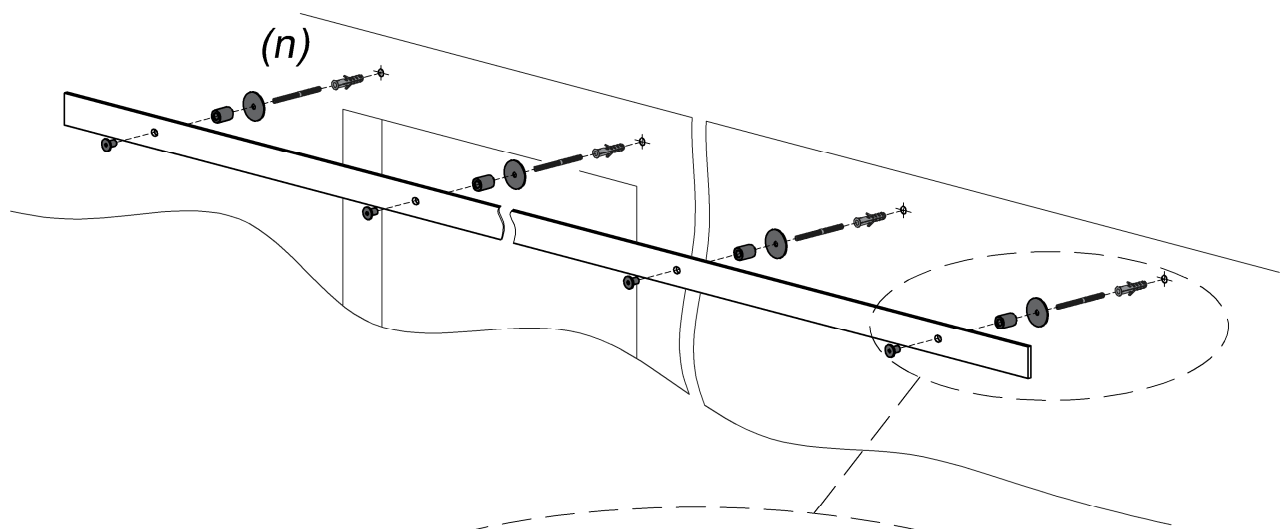
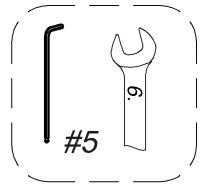
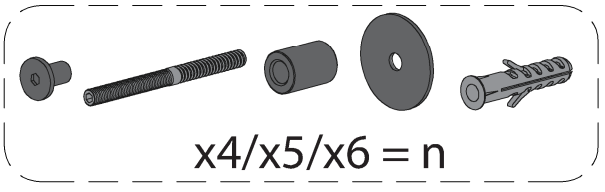
$H_1 = H_0 + 81$
 $H_1 = h + 61$



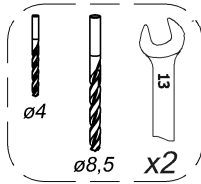
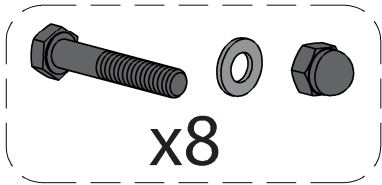
2



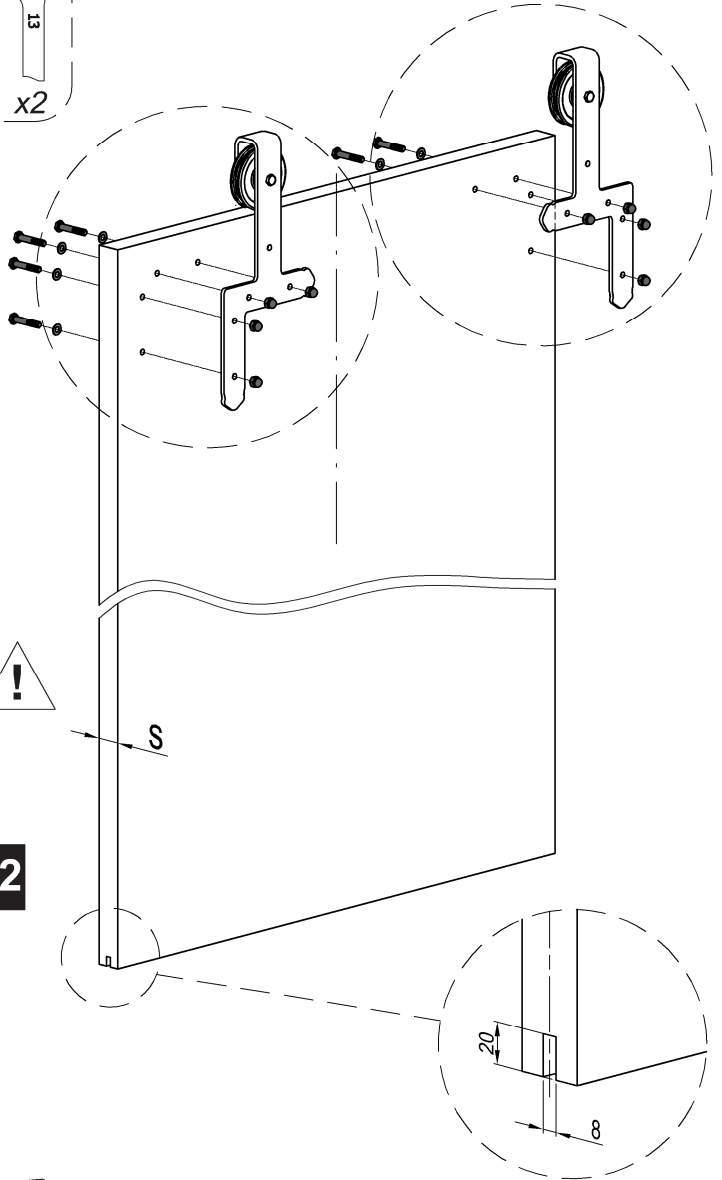
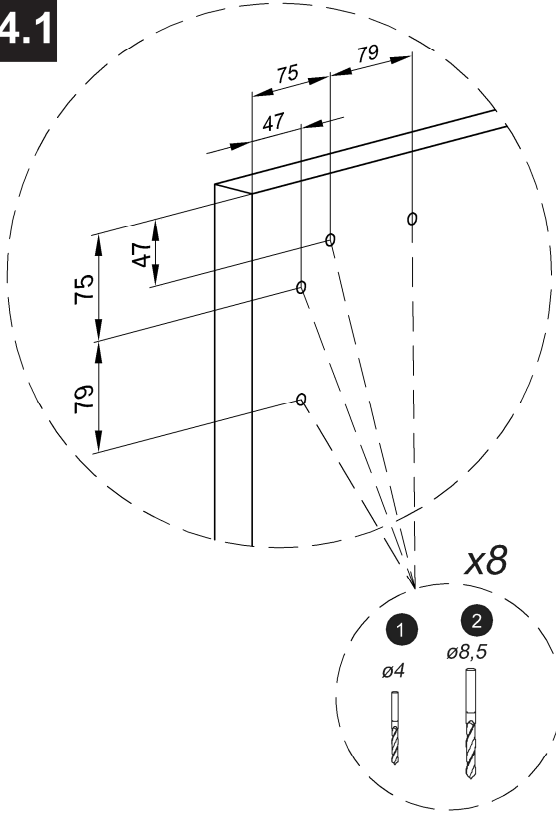
3



4

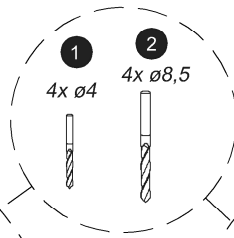


4.1

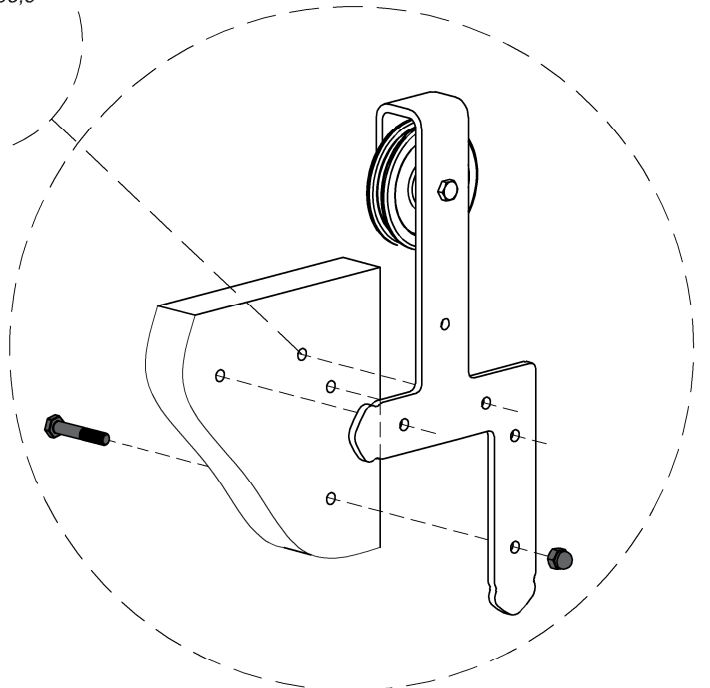
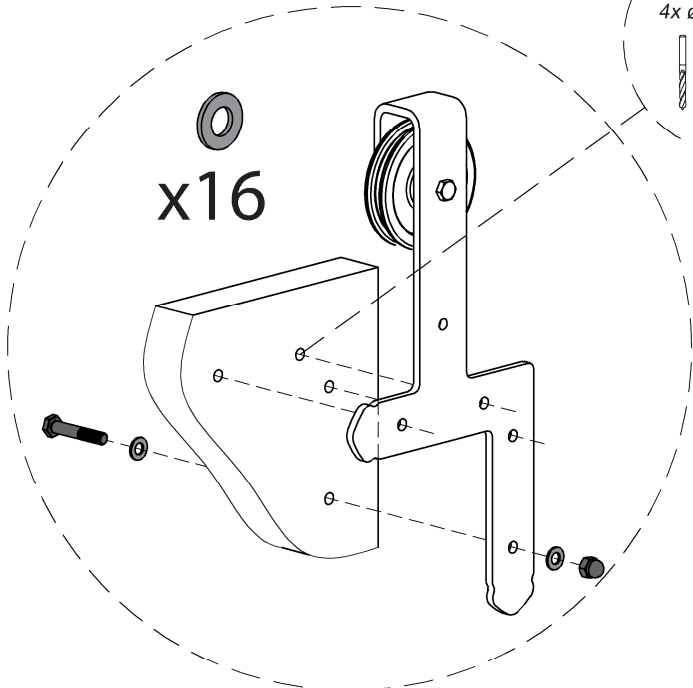


4.3

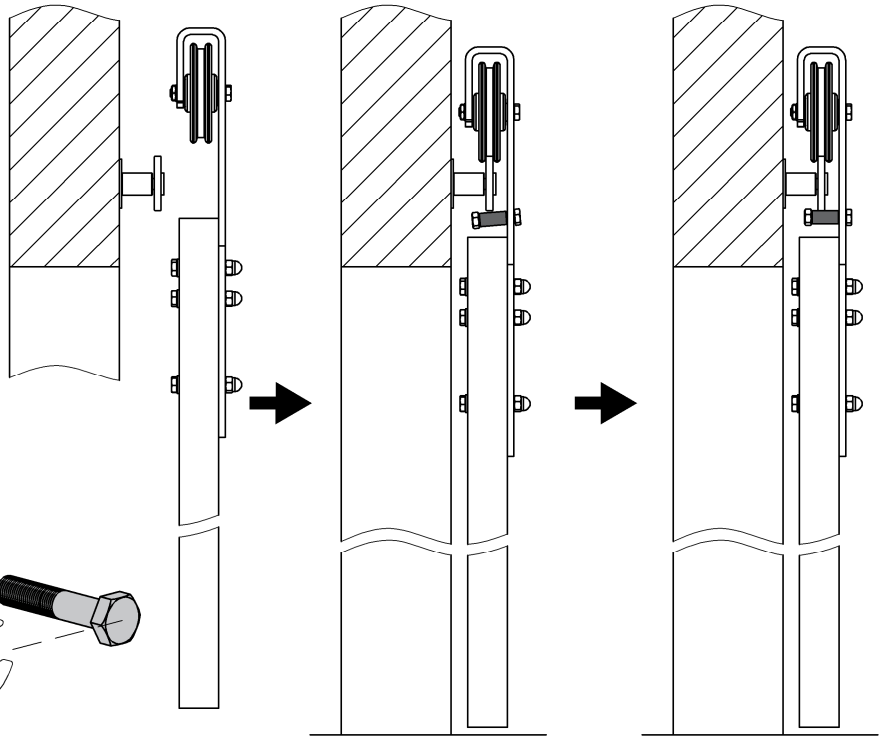
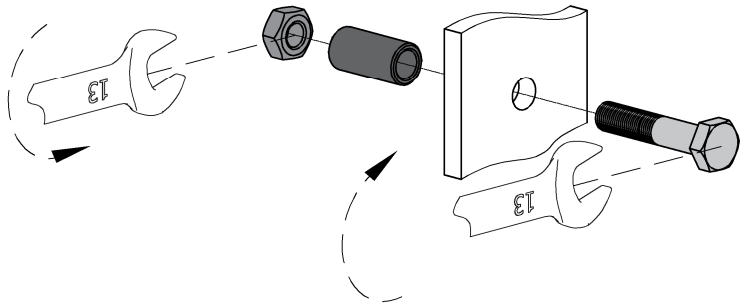
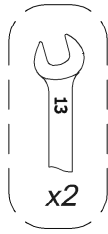
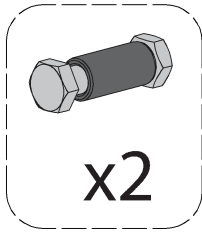
! $35 < s < 38$



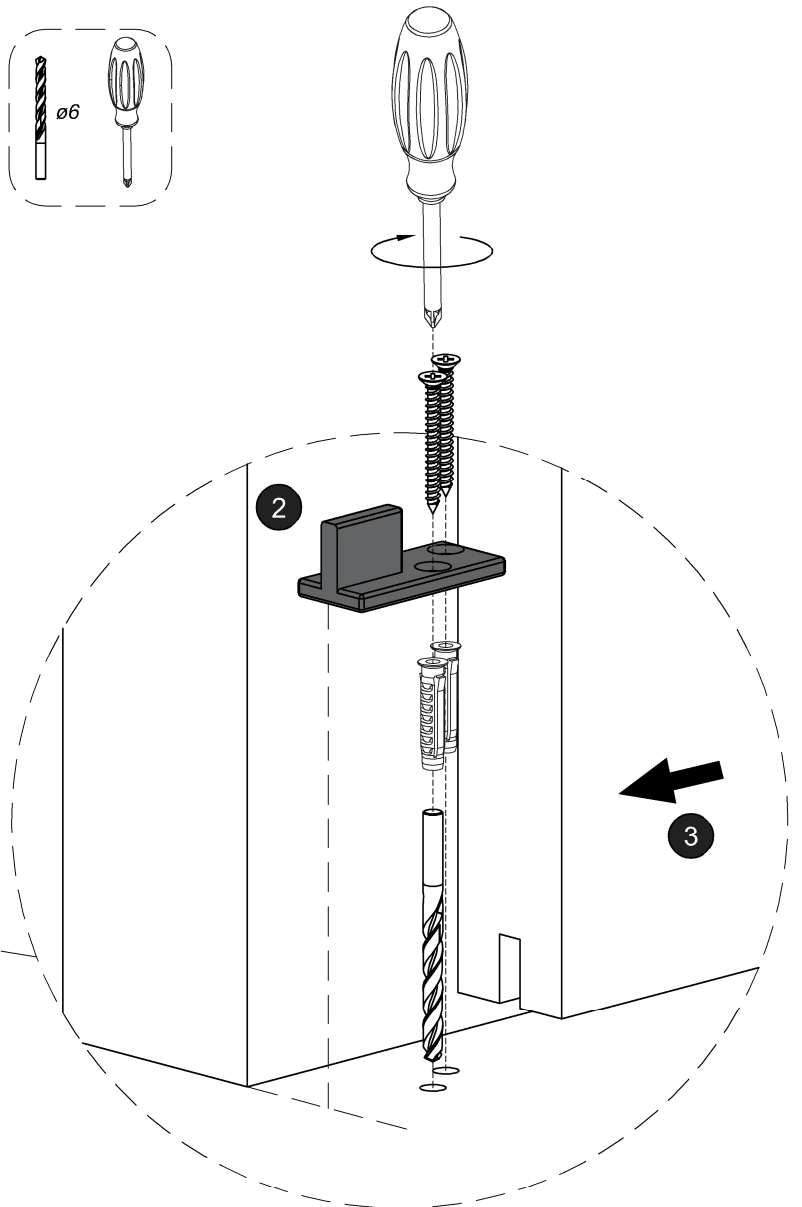
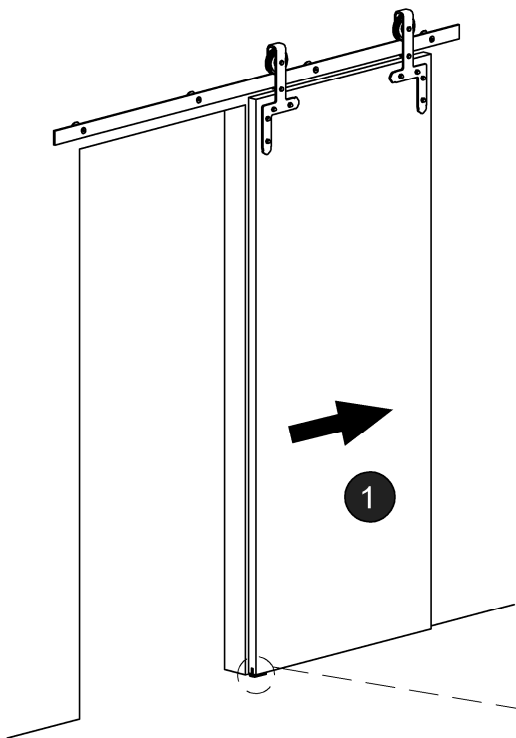
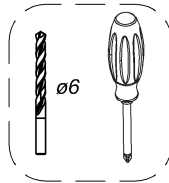
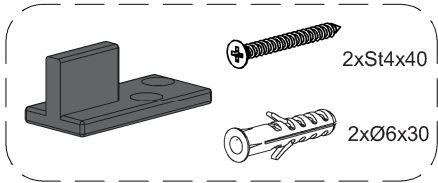
$38 \leq s < 42$



5

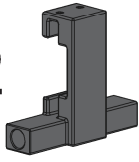


6

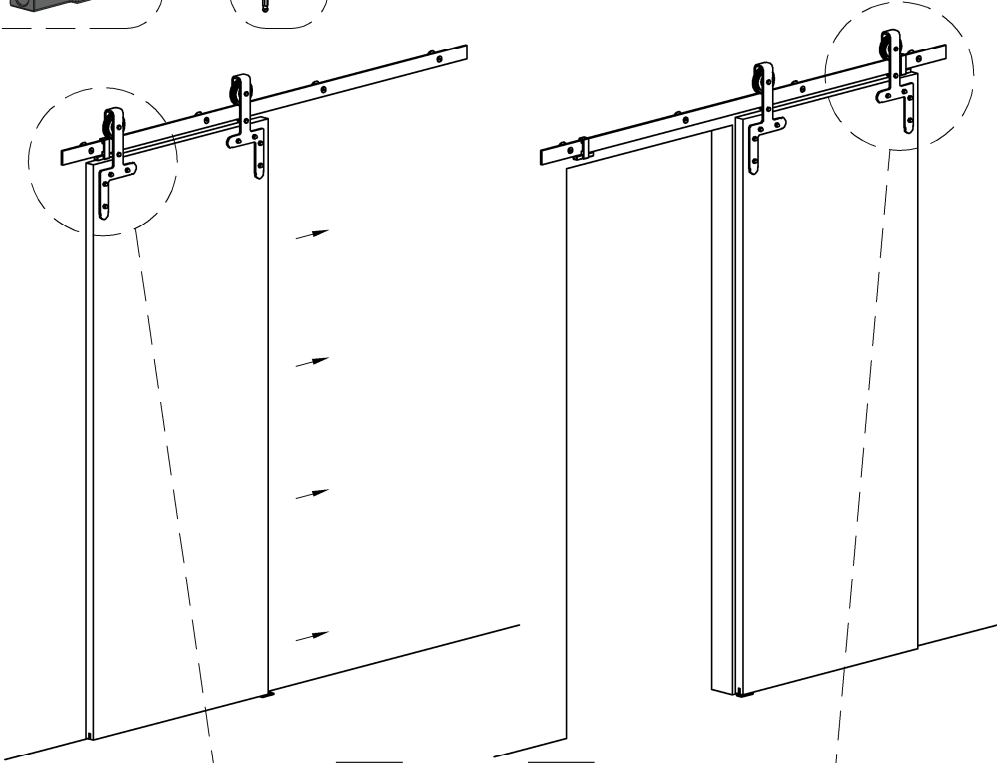
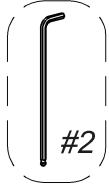


7

x2



#2



7a

7b

