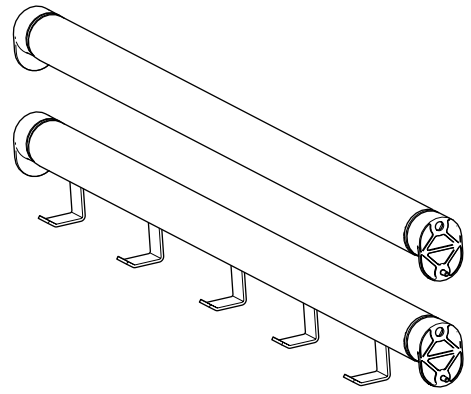


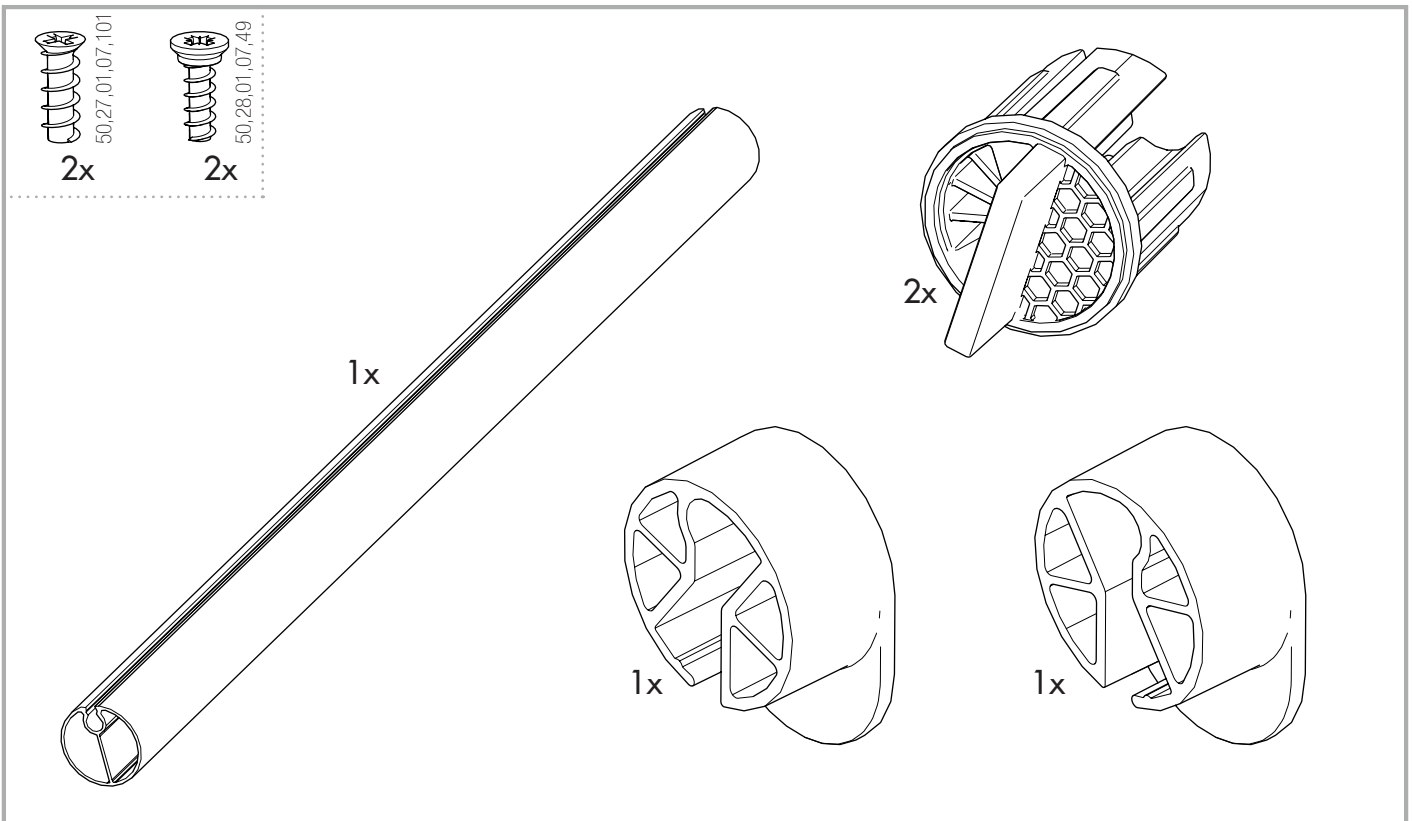


The Foundation



Clothes Rail/Hook Rail

1630 1631 1632 1633 1634



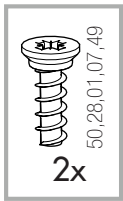
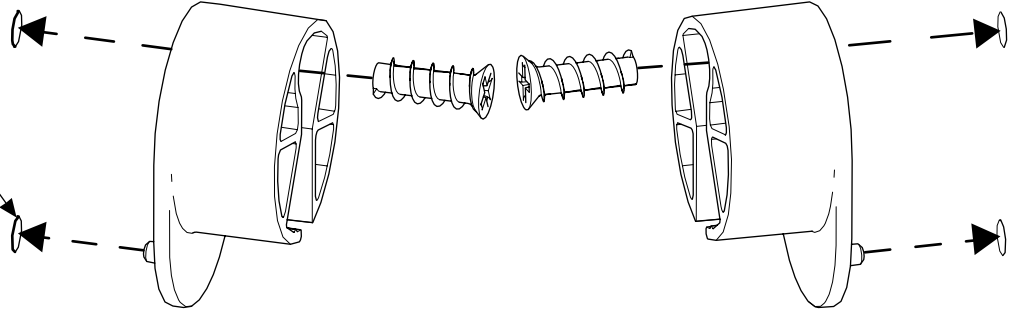
1

Left side

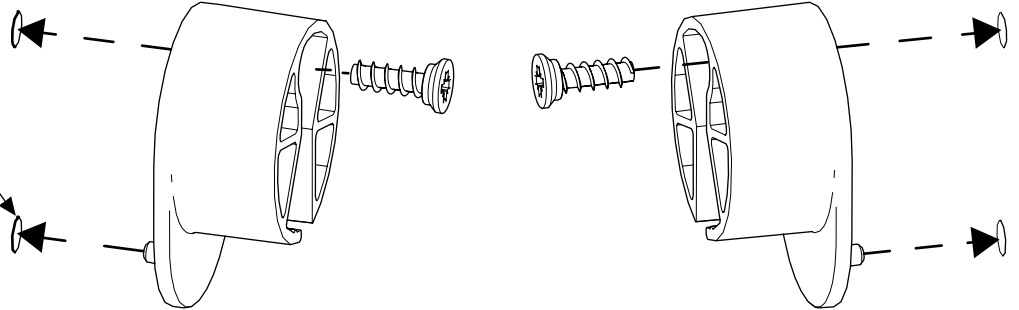
Right side



Ø5



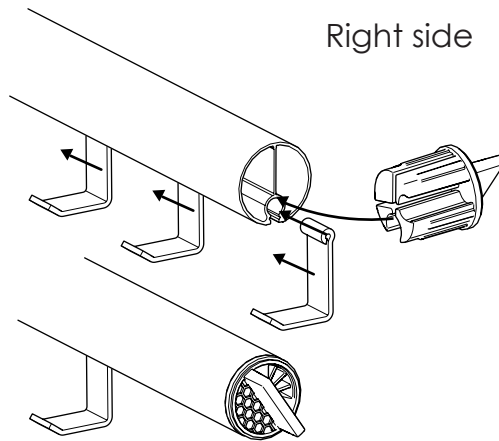
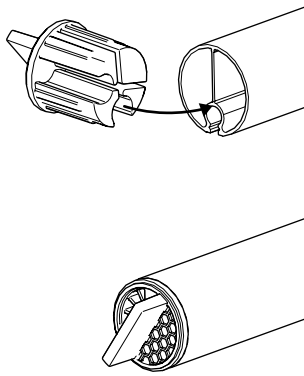
Ø3



2

Left side

Right side



3

