



INTEGRATO Z

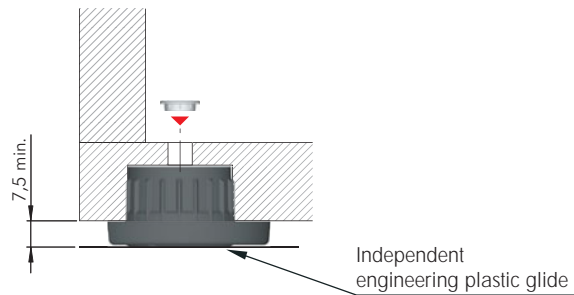


INTEGRATO Z is a further development within the INTEGRATO family. It is conceived for heavy duty furniture whose construction has weight-bearing bottoms.

The leveller is installed into the bottom panel by operating a $\text{Ø}30$ mm boring with a 16 mm depth, thus requiring a minimum 18 mm thickness. A $\text{Ø}8$ mm through hole in the bottom panel allows the adjustment of the independent plastic glide by using a S6 mm allen wrench or both cross and blade screwdriver.

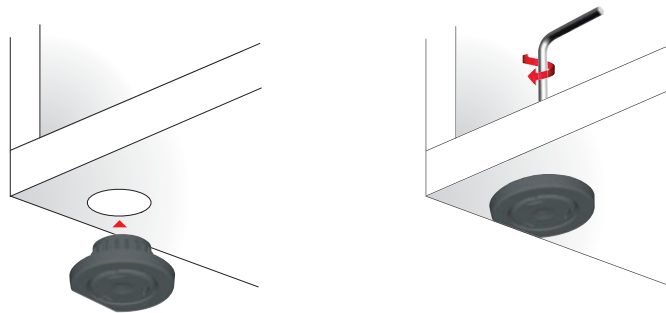
Just like all other INTEGRATO levellers, the capacity loading is 175 Kg each.

175 Kg per piece

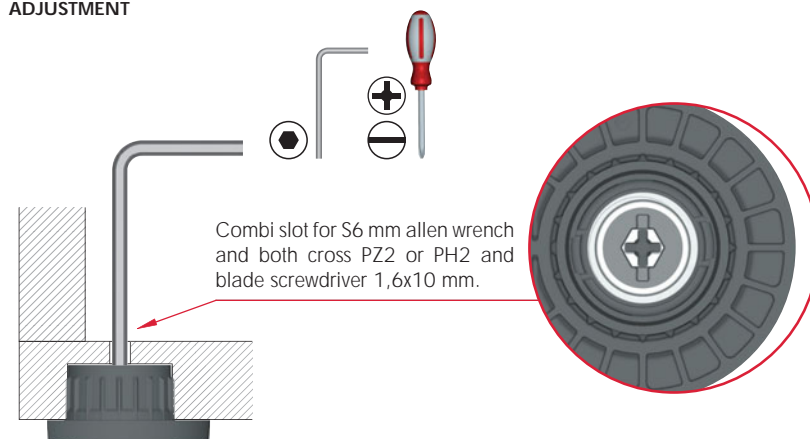


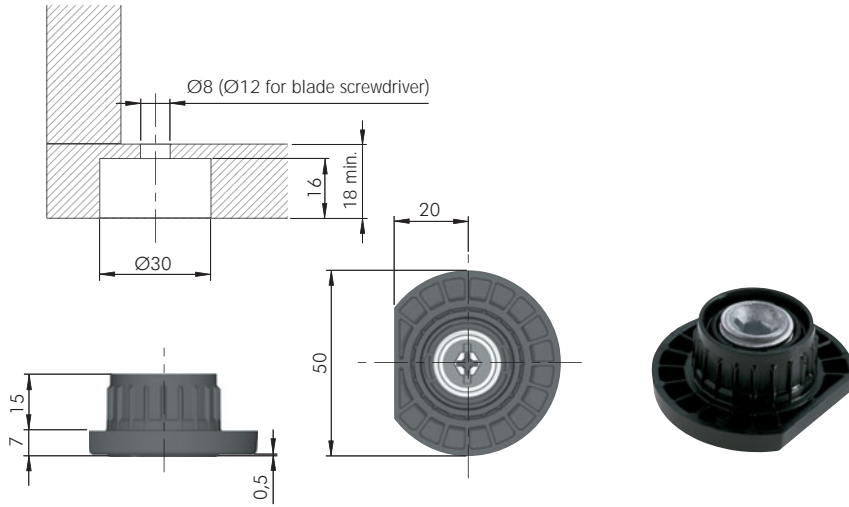
ADJUSTMENT 7 - 17 mm

INSTALLATION



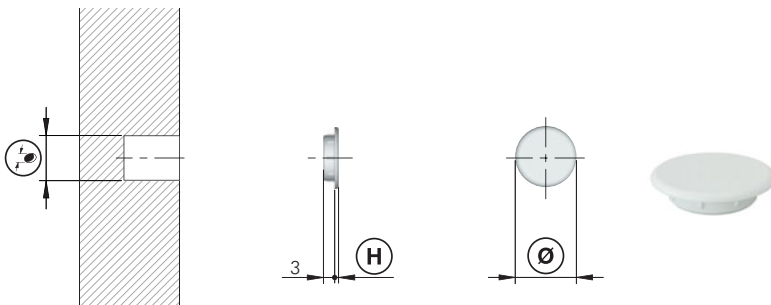
ADJUSTMENT





	= S6		= PZ2 PH2		= 1,6x10 mm
	ZA		EP		= 250 pcs.
	123				
30108010EA					

INTEGRATO Z ACCESSORY



	= Ø 8, Ø 12 mm				
	EP				
	123				
23002010AB	Ø 8	Ø 11	H		5000
23002030AB	Ø 12	Ø 15	H		5000