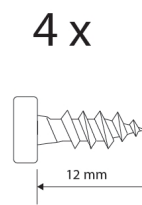
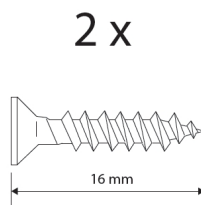
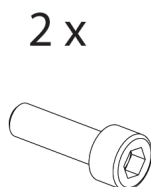
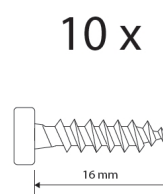
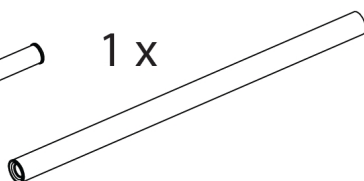
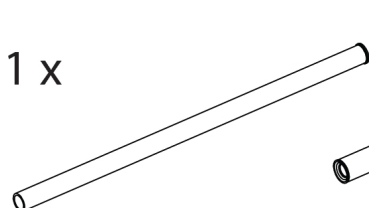
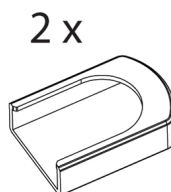
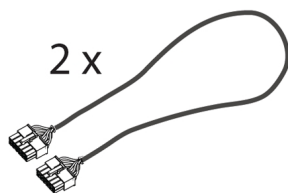
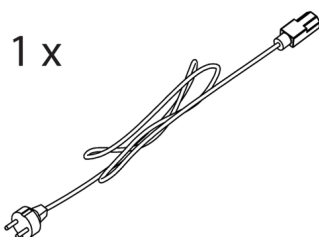
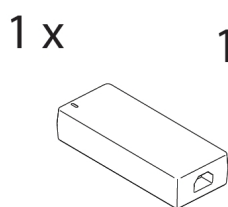
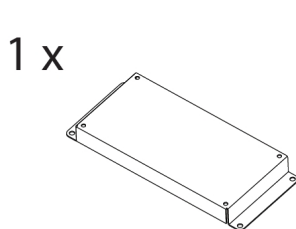
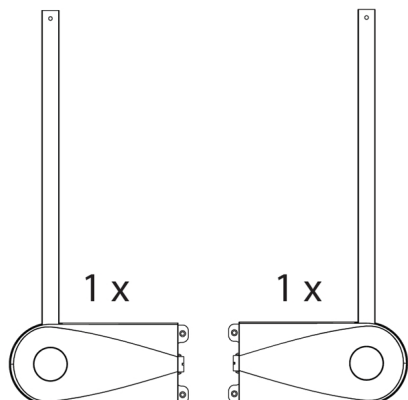
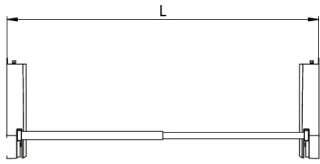
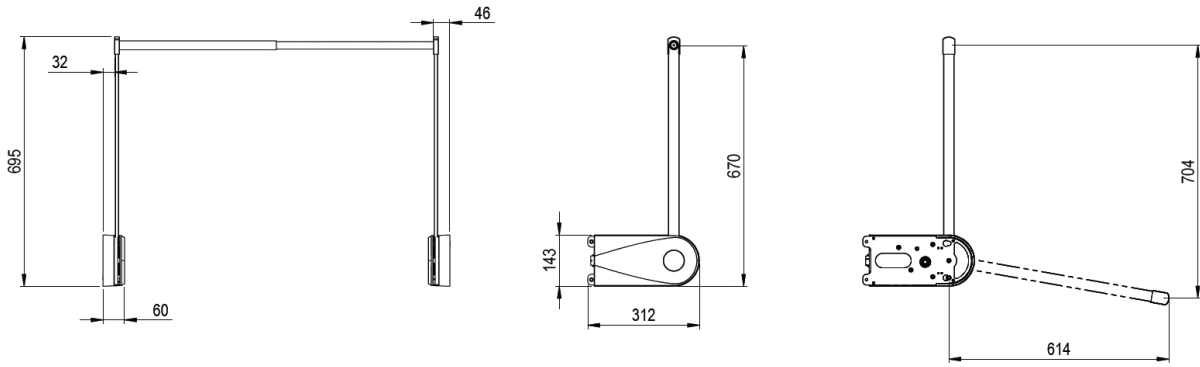


EN Installation instructions Butler 720 / 722

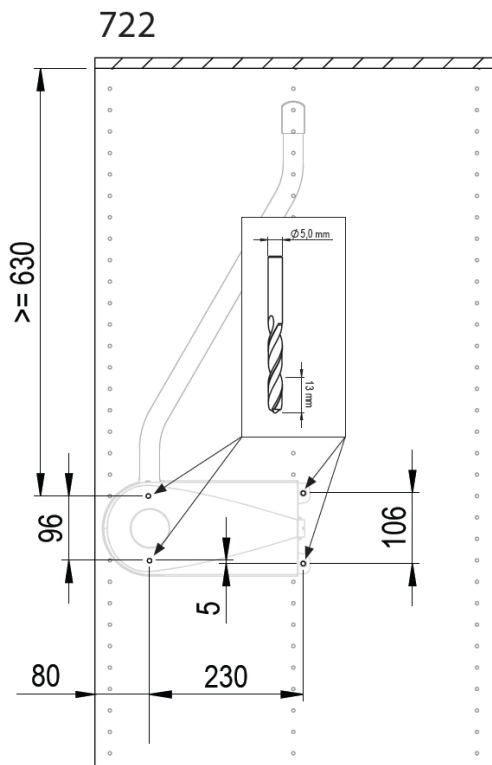
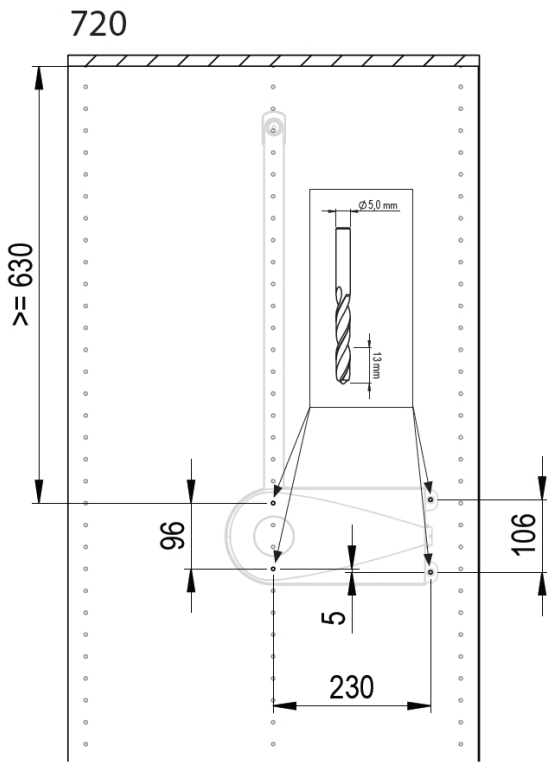
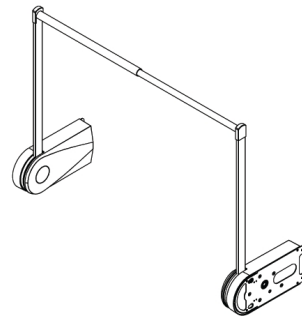
1. Delivery modules



2. Measurement data

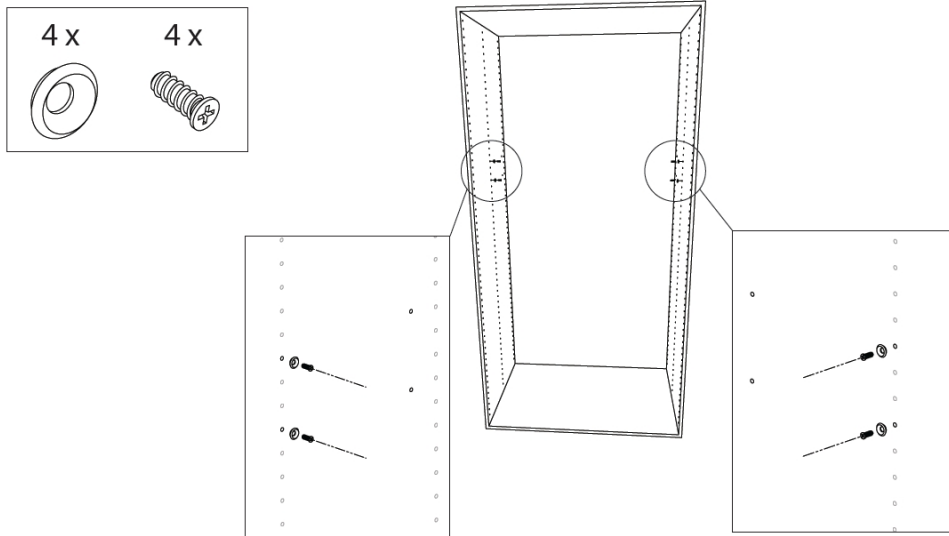


720-060 / 722-060: L = 550 - 868 mm
 720-100 / 722-100: L = 950 - 1568 mm

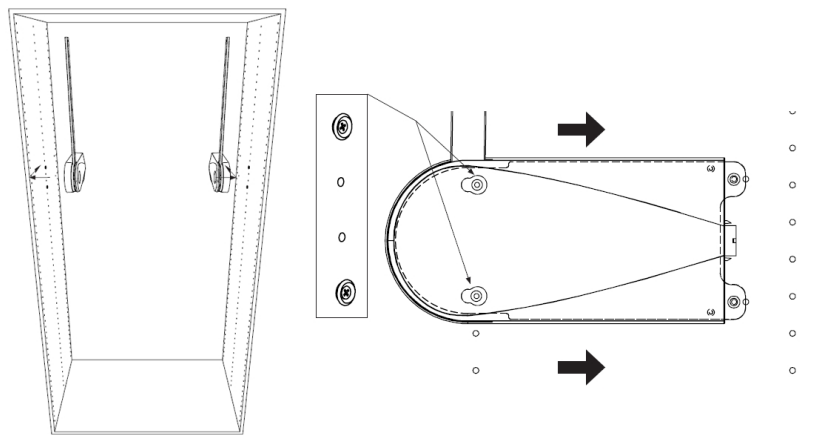


3. Installation in wardrobe

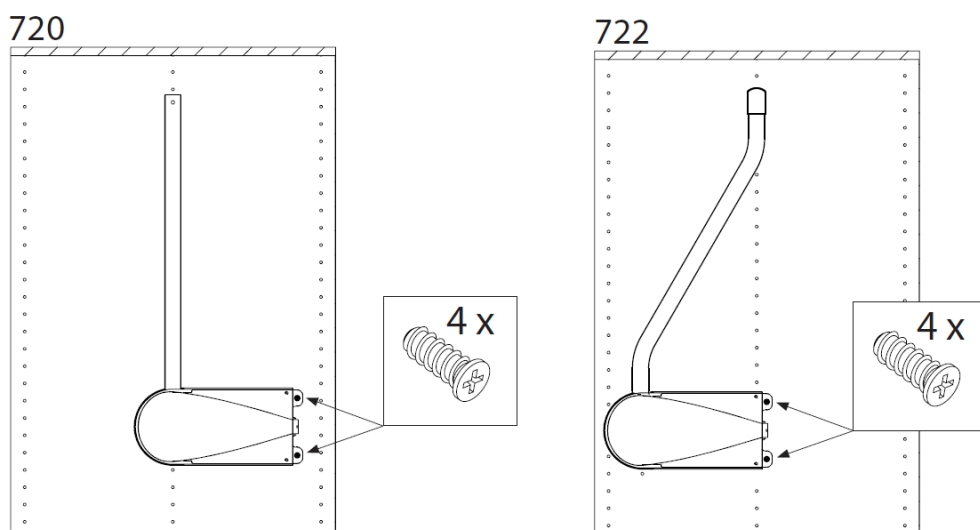
3.1



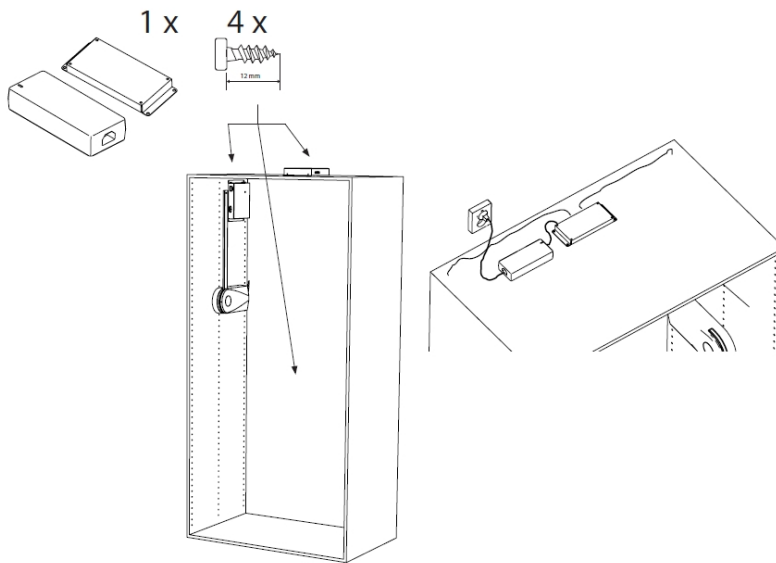
3.2



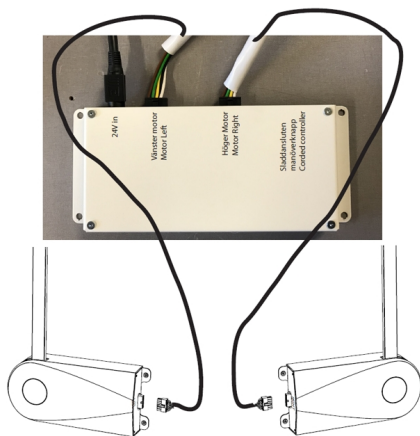
3.3



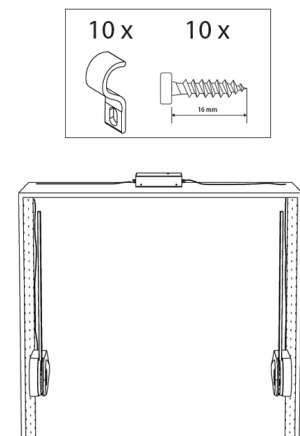
3.4



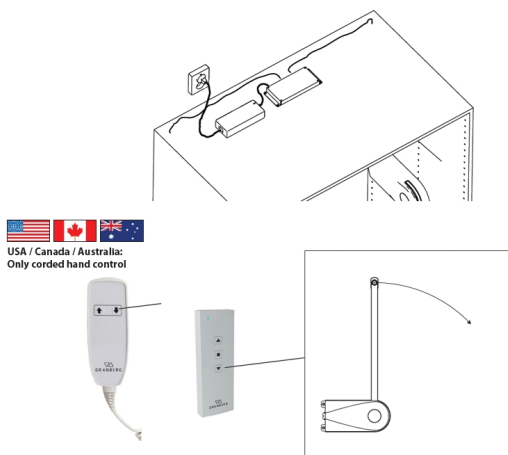
3.5



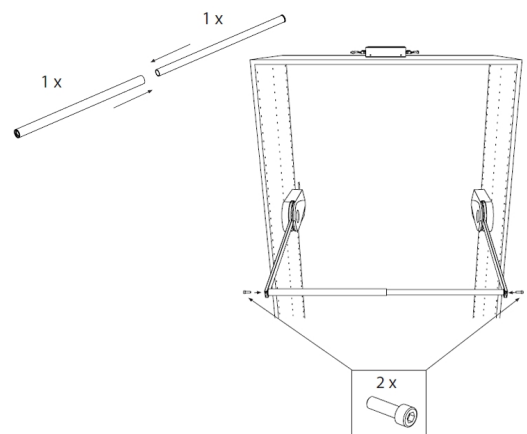
3.6



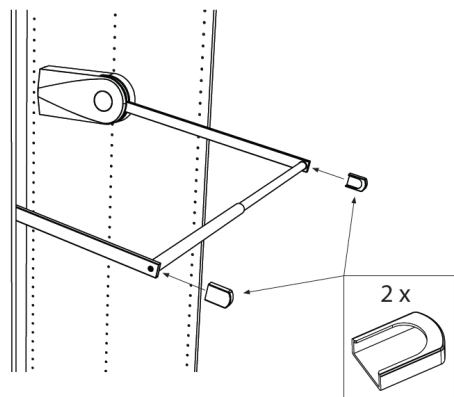
3.7



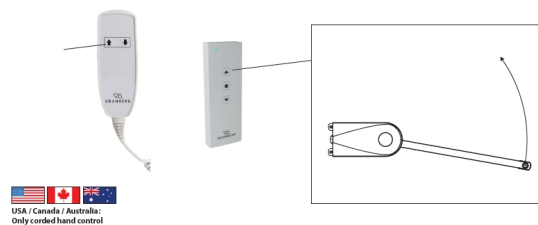
3.8



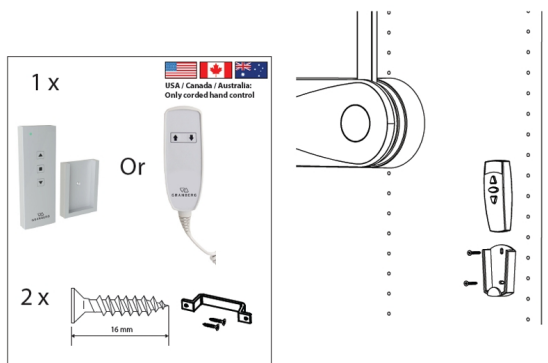
3.9



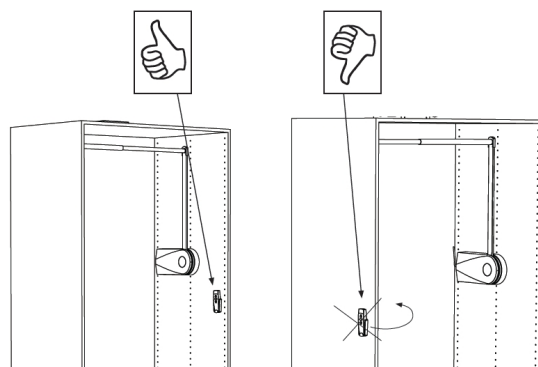
3.10



3.11



3.12



4. Functional test

Run the Wardrobe lift down and up all the way to respectively end position. Check that it moves freely, without hindrance and jarring sounds. Check that no cables are jammed.