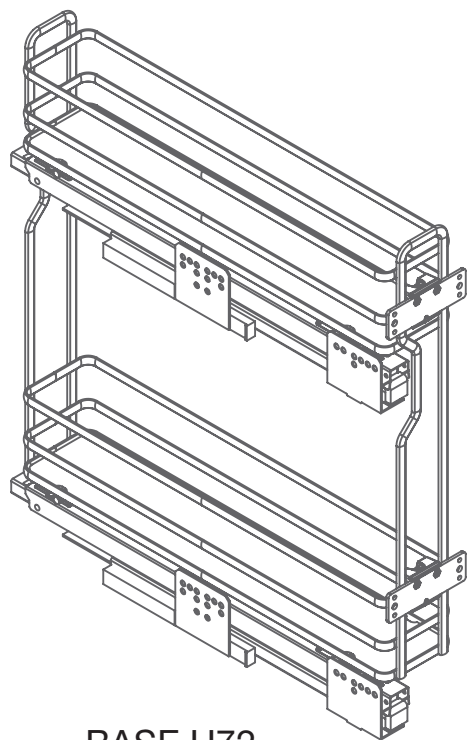
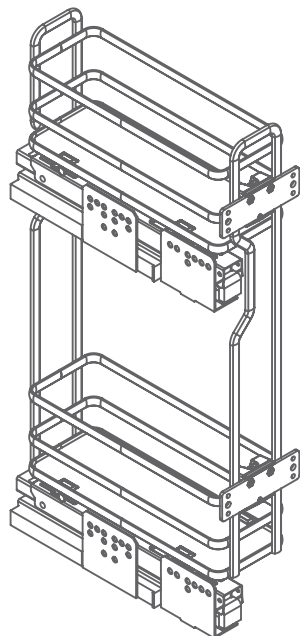


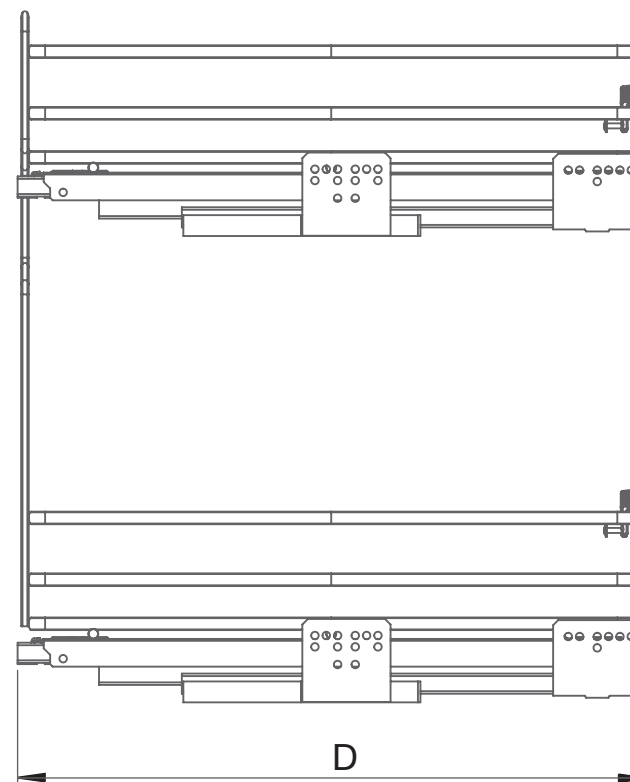
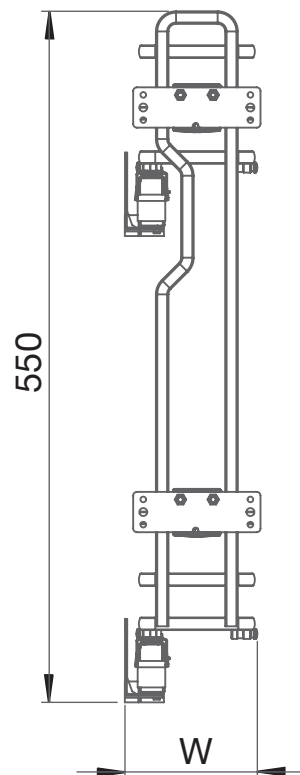
5104



BASE H72
H72 Base Unit



PENSILE
Wall Unit (*)



	L [mm]	150	200	250
	W [mm]	264	364	414

	Code	D [mm]
PENSILE Wall Unit (*)	28	275
BASE H72 H72 Base Unit	45	450
	50	500

(*) - Solo mobili larghezza L 150 mm - Only for L 150 mm wall units