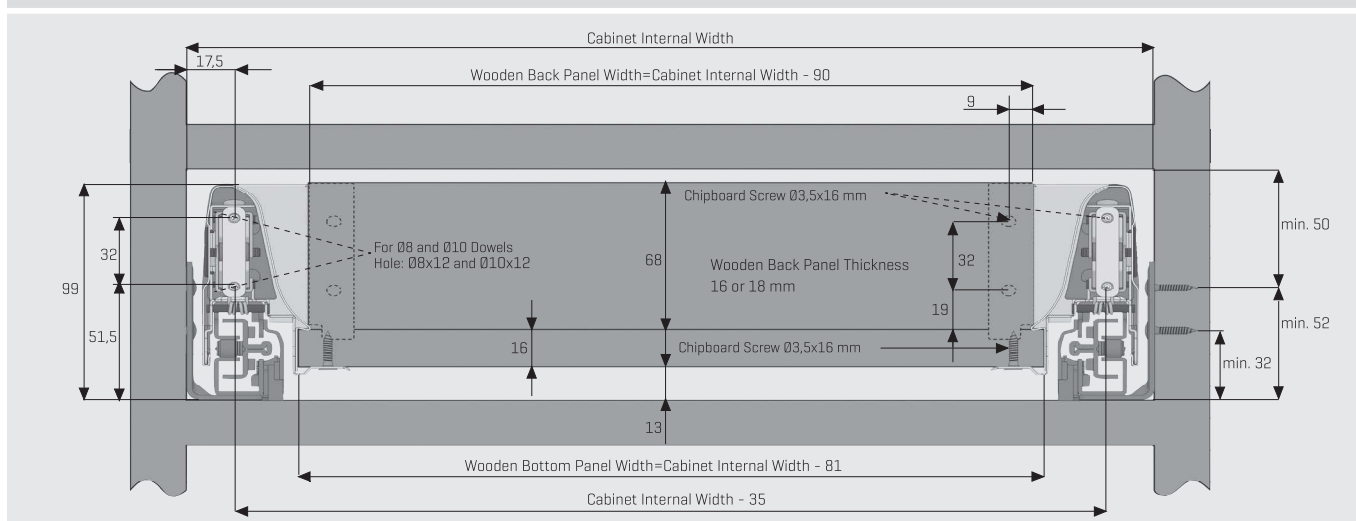
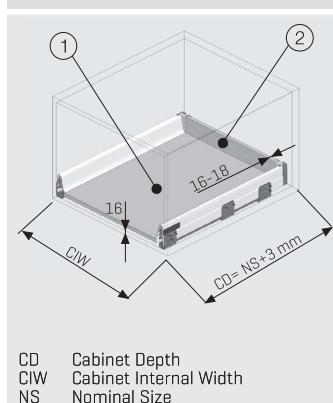


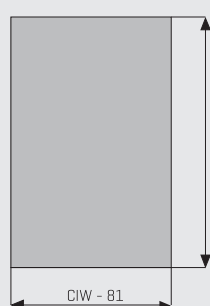
## Slide Mounting Dimensions



## Wooden Back Panel Application



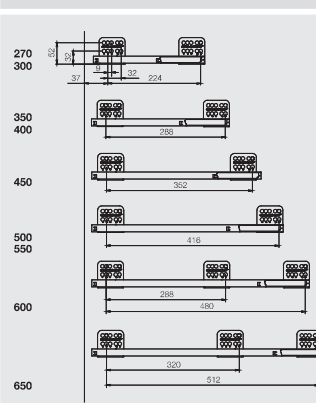
### 1. Wooden Drawer Bottom



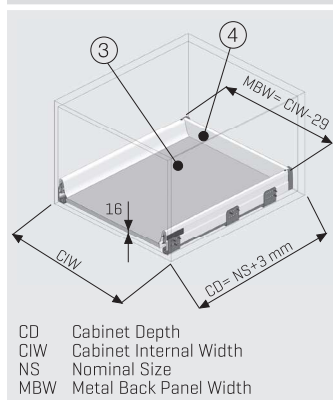
### 2. Wooden Back Panel



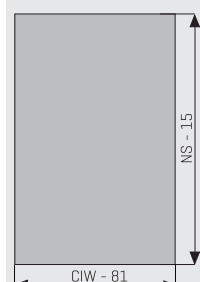
## Slide Screw Location



## Metal Back Panel Application



### 3. Wooden Drawer Bottom



### 4. Metal Back Panel without Gallery Railing

Order Requirements: 1279031\*MBW  
To obtain your desired color please add one of the below-mentioned figures to the end of the seven-digit code:  
1= White 3= Grey 5=Black  
Calculation for 18 mm thick side panels  
Example for cabinet width of 600 mm  
Cabinet Internal Width= 564 mm  
MBW= 564 mm - 29 mm= 535 mm  
Order: 12790311535

Color MBW

\*Special order of metal back panels can be made for drawers with wooden side panel thickness other than 18 mm

NOMINAL SIZE	White	Grey	Black	PACKING
300mm	12790311235	12790313235	12790315235	25 Pcs
450mm	12790311385	12790313385	12790315385	25 Pcs
500mm	12790311435	12790313435	12790315435	25 Pcs
600mm	12790311535	12790313535	12790315535	10 Pcs
800mm	12790311735	12790313735	12790315735	10 Pcs
900mm	12790311835	12790313835	12790315835	10 Pcs
1200mm	127903111135	127903131135	127903135135	10 Pcs

## Recommended Screws For Rail Assembly

Ø3,5x16 mm Chipboard Screw

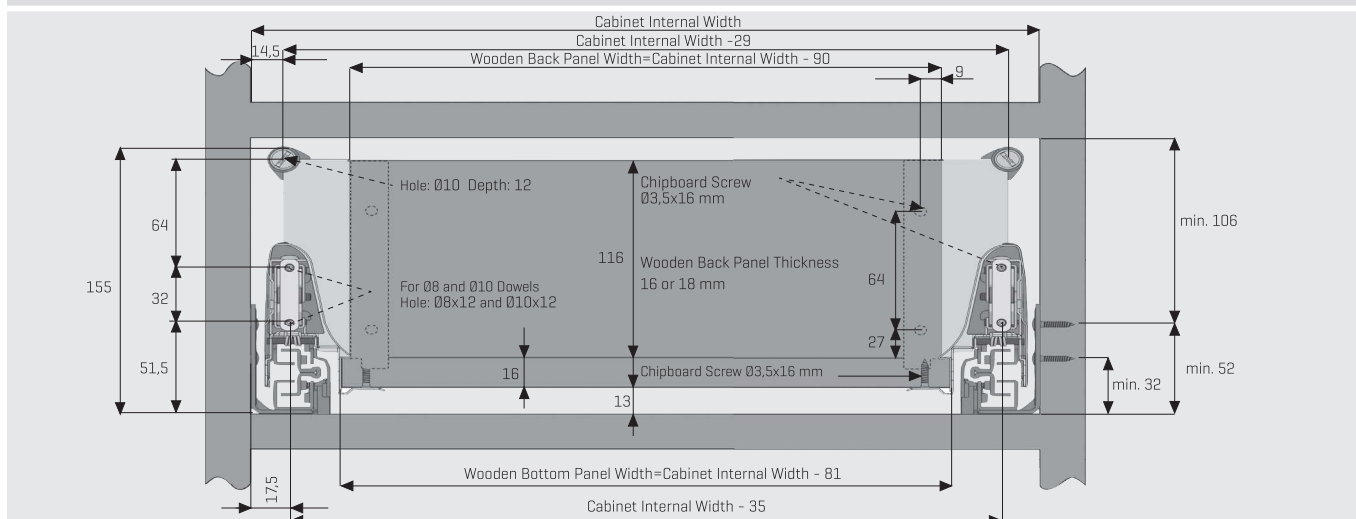


Ø6,1x11,5 mm Euro Screw

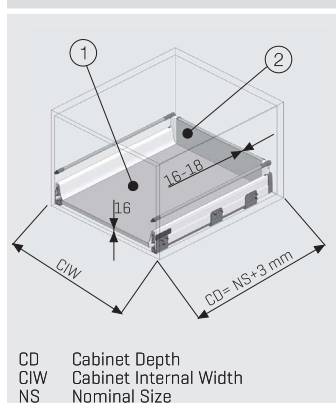


\*All dimensions in the graphs above are measured in mm

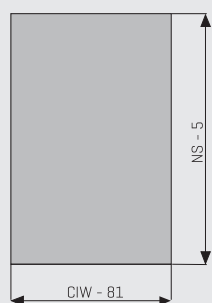
### Slide Mounting Dimensions



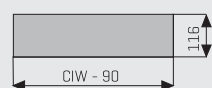
### Wooden Back Panel Application



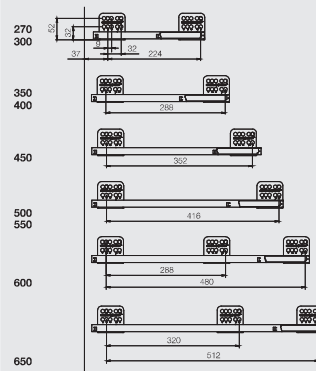
#### 1. Wooden Drawer Bottom



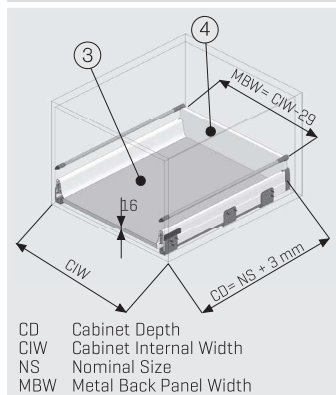
#### 2. Wooden Back Panel



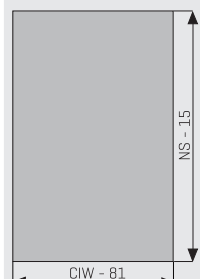
### Slide Screw Location



### Metal Back Panel Application



#### 3. Wooden Drawer Bottom



#### 4. Metal Back Panel Single Gallery Railing

Order Requirements: 1279032\*MBW  
 To obtain your desired color please add one of the below-mentioned figures to the end of the seven-digit code.  
 1= White 3= Grey 5=Black  
 Calculation for 18 mm thick side panels  
 Example for cabinet width of 600 mm  
 Cabinet Internal Width = 564 mm  
 MBW = 564 mm - 29 mm = 535 mm  
 Order: 12790321535

Color MBW

\*Special order of metal back panels can be made for drawers with wooden side panel thickness other than 18 mm

NOMINAL SIZE	White	Grey	Black	PACKING
300 mm	12790321235	12790323235	12790325235	25 Pcs
450 mm	12790321385	12790323385	12790325385	25 Pcs
500 mm	12790321435	12790323435	12790325435	25 Pcs
600 mm	12790321535	12790323535	12790325535	10 Pcs
800 mm	12790321735	12790323735	12790325735	10 Pcs
900 mm	12790321835	12790323835	12790325835	10 Pcs
1200 mm	127903211135	127903231135	127903251135	10 Pcs

### Recommended Screws For Rail Assembly

Ø3,5x16 mm Chipboard Screw

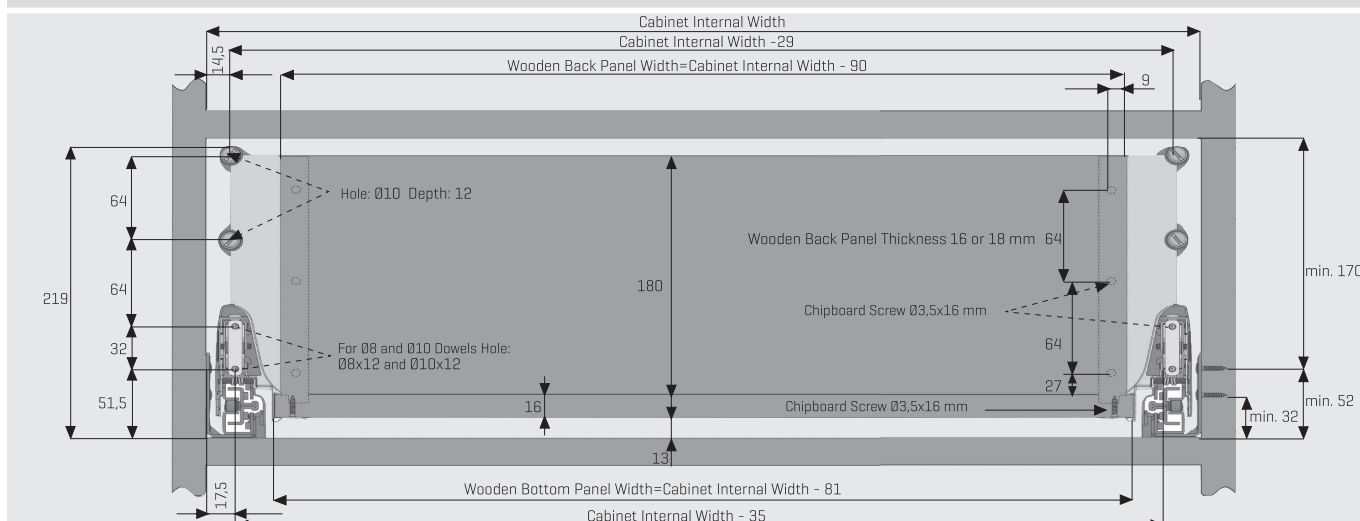


Ø6,1x11,5 mm Euro Screw

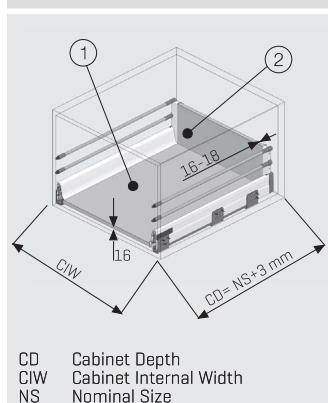


\*All dimensions in the graphs above are measured in mm

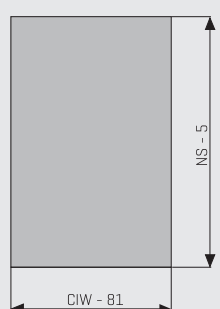
## Slide Mounting Dimensions



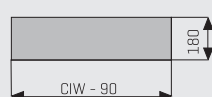
## Wooden Back Panel Application



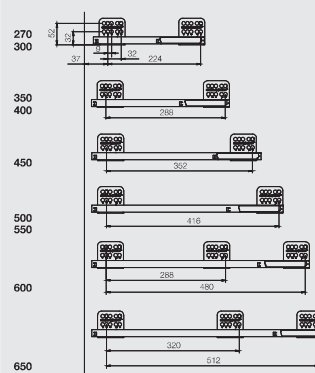
### 1. Wooden Drawer Bottom



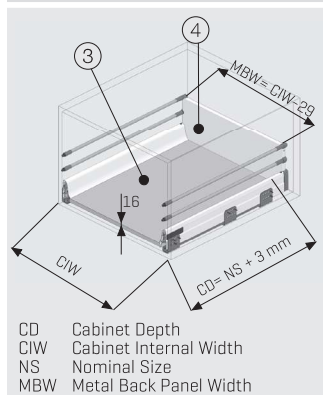
### 2. Wooden Back Panel



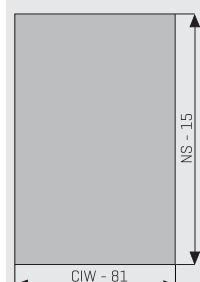
## Slide Screw Location



## Metal Back Panel Application



### 3. Wooden Drawer Bottom



### 4. Metal Back Panel Double Gallery Railing

Order Requirements: 1279033\*MBW  
 To obtain your desired color please add one of the below-mentioned figures to the end of the seven-digit code.  
 1= White 3= Grey 5=Black  
 Calculation for 18 mm thick side panels  
 Example for cabinet width of 600 mm  
 Cabinet Internal Width= 564 mm  
 MBW= 564 mm - 29 mm= 535 mm  
 Order: 12790331535

Color MBW

\*Special order of metal back panels can be made for drawers with wooden side panel thickness other than 18 mm

NOMINAL SIZE	White	Grey	Black	PACKING
300 mm	12790331235	12790333235	12790335235	25 Pcs
450 mm	12790331385	12790333385	12790335385	25 Pcs
500 mm	12790331435	12790333435	12790335435	25 Pcs
600 mm	12790331535	12790333535	12790335535	10 Pcs
800 mm	12790331735	12790333735	12790335735	10 Pcs
900 mm	12790331835	12790333835	12790335835	10 Pcs
1200 mm	127903311135	127903331135	127903351135	10 Pcs

\*All dimensions in the graphs above are measured in mm

## Recommended Screws For Rail Assembly

Ø3,5x16 mm Chipboard Screw



Ø6,1x11,5 mm Euro Screw

